

**SINGER**  
11W6,W7

m 1797 w—Revised  
ember, 1927  
NTED IN U. S. A.

# LIST OF PARTS



## MACHINES Nos. 11w6 and 11w7

THE SINGER MANUFACTURING COMPANY

## INDEX

|                               | PAGE |
|-------------------------------|------|
| ACCESSORIES .....             | 23   |
| BOBBIN WINDER .....           | 24   |
| KNEE LIFTER .....             | 23   |
| MACHINE NO. 11w6 .....        | 7    |
| "    "    11w7 .....          | 16   |
| NUMERICAL LIST OF PARTS ..... | 27   |
| TRUCK .....                   | 25   |

From the library of: Diamond Needle Corp

## Instructions for Ordering

In ordering from this list, use **ONLY** the **PART** number in the **FIRST** column.

The number stamped on a Sewing Machine Part is the number of the Single Part only, except when the part includes Set Screws, Clamping Screws, Studs and Rollers Spun on, Small Wires riveted, or Parts soldered together, etc., which it is necessary to furnish in combination.

Every combination of parts sent out has its specific number which, although not stamped on Parts (except in above cases) must be used when ordering the combination.

Each number always indicates the **SAME PART** in whatever list it appears, or for whatever Machine.

The letters after some of the numbers indicate the style of finish only, as follows:

- A. Hardened, Polished and Plated.
- B. Polished and Plated.
- C. Hardened only.
- D. Polished only.
- E. Soft, not polished.
- F. Hardened and Polished.
- H. Blued.

These letters **MUST BE USED** when they appear in the list and **AFTER** the number, as in the list.

In this series

- 200001 to 201500 are Screw Numbers.
- 201501 to 201800 are Nut Numbers.
- 201801 to 202000 are Roller Numbers.
- 202001 and upward are numbers of Machine Parts.

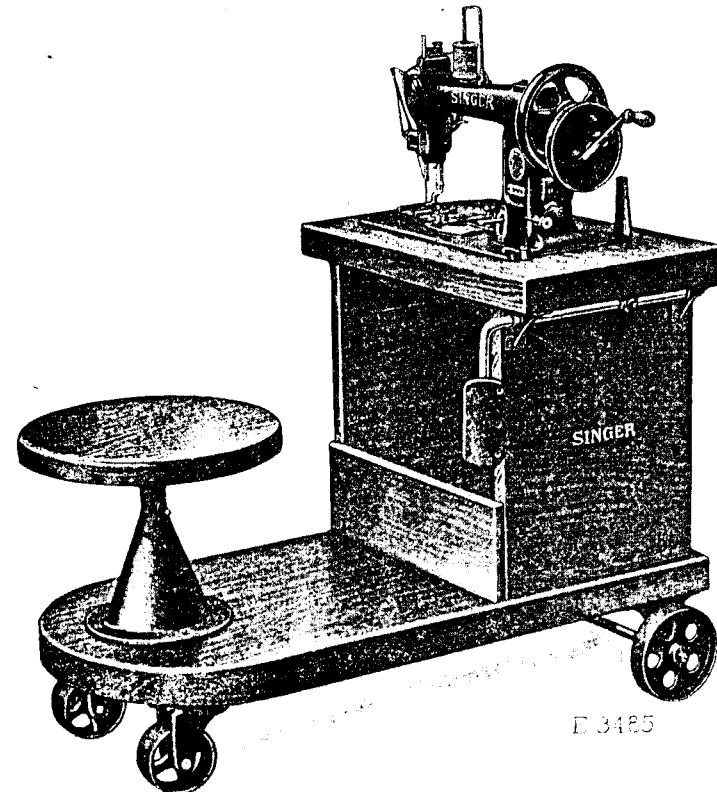
The figures in the second column refer only to the plate in which the illustration of the part is shown and are **NOT TO BE USED** in ordering.

Two or more numbers over a cut indicate that the difference between such parts is not visible in an illustration.

Parts marked with an asterisk (\*) are furnished only when repairs are made at the factory.

## LIST OF PARTS COMPLETE

FOR



### MACHINE No. 11w6

DROP FEED. HAND DRIVING ATTACHMENT

For Stitching or Joining Tape Belts on  
Spinning and Twisting Frames

| No.     | Plate | Name  |
|---------|-------|---|
| *221803 | —     | Arm with 200009H, 202002, 203922 and 204234 ..... |
| 204163  | 10710 | Arm Cap .....                                     |
| 200278H | 10710 | " " Screw .....                                   |
| 202248  | 10710 | " " " Washer .....                                |
| 202004  | 12653 | " Position Pin (2) .....                          |
| 200963E | 12659 | " Screw (3) .....                                 |

| No.     | Plate | Name  |
|---------|-------|---|
| 202005  | 12653 | Arm Screw Washer (3) .....  |
| 203923  | 12660 | " Shaft .....   |
| 202002  | 12653 | " " Bushing .....   |
| 200009H | 12653 | " " " Stop Screw .....  |
| 203924  | ----- | " " Connection with 202009<br>and two 200054E .....                                       |
| 203925  | 12660 | Arm Shaft Connection 203924 with<br>203926, two each 200822c, 201525E<br>and 202668 ..... |
| *202009 | ----- | Arm Shaft Connection Cap .....  |
| 200054E | 12659 | " " " Screw .....   |
| 203926  | 12653 | " " " Slide Block .....   |
| 203927  | 10708 | " " " " " Stud .....  |
| 200427C | 12653 | " " " " " " .....   |
| 200352C | 12653 | Position Screw .....  |
| 203922  | 12660 | Arm Shaft Connection Slide Block<br>Stud Set Screw .....                                  |
| 221804  | 12660 | Arm Side Plate .....  |
| 350091E | 12659 | Balance Wheel with 200335c,<br>200338c, 202111 and two 200079H .....                      |
| 202111  | 10212 | " " Gear .....  |
| 200079H | 10710 | " " " Screw .....   |
| 200338C | 12659 | " " Position Screw .....  |
| 200335C | 12659 | " " Set Screw .....   |
| *221838 | ----- | Bed with 200328c and 205965 .....   |
| 202168  | 12653 | " Hinge Connection (2) .....  |
| 200575H | 10710 | " " " Screw (4) .....   |
| 202113  | ----- | " Slide (front) .....   |
| 202114  | 12660 | " " 202113 with 202115 and<br>two 200144E .....   |
| 202115  | 12653 | Bed Slide (front) Spring .....  |
| 200144E | 12641 | " " " " Screw .....   |
| 221805  | 12661 | Belt Guide (back) (adjustable)<br>with 350093c and two 200798E .....                      |
| 350092D | 12659 | Belt Guide (back) (adjustable)<br>Screw .....   |
| 200681C | 12659 | Belt Guide (back) (adjustable)<br>Screw Stud .....  |
| 221806  | 12661 | Belt Guide (back) Adjusting Slide<br>with 200681c .....                                   |
| 350093C | 12659 | Belt Guide (back) Adjusting Slide<br>Position Screw .....                                 |
| 200798E | 12659 | Belt Guide (back) Adjusting Slide<br>Screw Stud .....                                     |
| 201556D | 12659 | Belt Guide (back) Adjusting Slide<br>Screw Stud Thumb Nut .....                           |
| 221807  | 12661 | Belt Guide (front) (adjustable) .....   |
| 200798E | 12659 | " " " " Screw<br>Stud .....   |

| No.     | Plate | Name   |
|---------|-------|--|
| 201556D | 12659 | Belt Guide (front) (adjustable)<br>Screw Stud Thumb Nut .....  |
| 221808  | 12661 | Belt Guide Adjusting Lever with<br>200861B .....   |
| 221809  | 12661 | Belt Guide Adjusting Lever Bolster<br>with 200798E .....   |
| 350094D | 12659 | Belt Guide Adjusting Lever Hinge<br>Screw .....  |
| 350095C | 12659 | Belt Guide Adjusting Lever Posi-<br>tion Screw .....   |
| 201535H | 12641 | Belt Guide Adjusting Lever Posi-<br>tion Screw Nut .....   |
| 200798E | 12659 | Belt Guide Adjusting Lever Screw<br>Stud .....   |
| 201556D | 12659 | Belt Guide Adjusting Lever Screw<br>Stud Thumb Nut .....   |
| 200861B | 12659 | Belt Guide Adjusting Lever Thumb<br>Screw .....  |
| 221810  | 12661 | Belt Guide Base Plate .....  |
| 221811  | ----- | Adjustable Belt Guide Attachment<br>complete, Nos. 201535H, 221805 to<br>221810, 350094D, 350095C, two<br>350092D and three 201556D .... |
| 200577H | 12653 | Adjustable Belt Guide Attachment<br>Screw .....  |
| 200911D | 12659 | Adjustable Belt Guide Attachment<br>Screw .....  |
| 202053  | 12653 | Bobbin .....   |
| *221812 | ----- | " Case .....   |
| 202055  | 12653 | " " Latch .....  |
| *202056 | ----- | " " " Pin .....  |
| *202100 | ----- | " " " Post .....   |
| 202101  | 12653 | " " " " Washer .....   |
| 202057  | 12653 | " " " Spring .....   |
| 202058  | 12653 | " " " " Plunger .....  |
| 200597F | 12659 | " " Tension Regulating<br>Screw .....  |
| 203932  | 12653 | Bobbin Case Tension Spring .....   |
| 200594C | 12653 | " " " " Screw .....  |
| 221813  | 12659 | Bobbin Case complete, Nos.<br>200594C, 200597F, 202055 to 202058,<br>202100, 202101, 203932 and 221812                                   |
| 203934  | 10706 | Bobbin Case Stop .....   |
| 200390C | 10706 | " " " Adjusting Screw .....  |
| 203936  | 10706 | " " " Bracket .....  |
| 200027E | 10706 | " " " " Screw .....  |
| 205979  | 12653 | " " " Hinge Pin .....  |
| 203935  | 10706 | " " " Spring .....   |

| No.     | Plate | Name   |
|---------|-------|--|
| 203966  | 10706 | Bobbin Case Stop Bracket complete, Nos. 200390c, 203934 to 203936 and 205979 ..... |
| 221814  | 12659 | Bobbin Winder Frame .....  |
| 200229D | 12659 | " " " Hinge Screw .....  |
| 202134  | 12659 | " " " Spring .....   |
| 202140  | 12659 | " " " Stop Pin .....   |
| 202141  | 12659 | " " Pulley .....   |
| 202189  | 12659 | " " Spindle .....  |
| 204925  | 12659 | " " " Washer .....   |
| 221815  | ---   | Bobbin Winder complete, Nos. 202141, 202189, 204925 and 221814 .....               |
| 203937  | 12643 | Face Plate with 202023, 202087, 204281 and four 200368H .....                      |
| 200053C | 12659 | Face Plate Screw .....   |
| 202023  | 12653 | " " Thread Guide .....   |
| 200368H | 12653 | " " " " Set Screw .....  |
| 221839  | ---   | Face Plate complete, Nos. 200577H, 203937, 203965, 204059, 204795 and 221840 ..... |
| 203939  | 12642 | Feed Bar with 204340 .....   |
| 200365C | 12653 | " " Adjusting Screw .....  |
| 203940  | 10706 | " " " Spring (flat) .....  |
| 200131E | 12659 | " " " " Screw .....  |
| 200415C | 10706 | " " Screw Center .....   |
| 201525E | 10706 | " " " Nut .....  |
| 203941  | 10706 | " " Spring (spiral) .....  |
| 204340  | 12659 | " " " Hook .....   |
| 204189  | 12659 | " " " " (on Bed) .....   |
| 221844  | ---   | Feed Bar complete, Nos. 200365c, 203939, 203940, 221816 and four 200131E .....     |
| 221816  | 12664 | Feed Dog .....   |
| 200131E | 12659 | " " Screw .....  |
| 203943  | 10708 | " Driving Crank .....  |
| 205977  | ---   | " " " 203943 with 200252c, 201531E and 203944 .....                                |
| 203944  | 10708 | Feed Driving Crank Link .....  |
| 200252c | 10708 | " " " " Screw Stud .....   |
| 201531E | 10708 | Feed Driving Crank Link Screw Stud Nut .....                                       |
| 200648E | 10706 | Feed Driving Crank Screw Stud .....  |
| 200372c | 10706 | " " " " " " Check Screw .....  |
| 202668  | 12659 | Feed Driving Crank Slide Block .....   |
| 200822c | 12659 | " " " " " " Screw Stud .....   |
| 201525E | 10706 | Feed Driving Crank Slide Block Screw Stud Nut .....                                |

| No.     | Plate | Name   |
|---------|-------|--|
| 203945  | 12642 | Feed Driving Rock Shaft with two each 200415c and 201525E .....                |
| 203946  | 12642 | Feed Driving Rock Shaft Crank with two each 200378c, 200415c and 201525E ..... |
| 203947  | 12642 | Feed Driving Rock Shaft Crank Connection with 200819c .....                    |
| 200415c | 10706 | Feed Driving Rock Shaft Crank Connection Screw Center .....                    |
| 201525E | 10706 | Feed Driving Rock Shaft Crank Connection Screw Center Nut ..                   |
| 200378c | 12653 | Feed Driving Rock Shaft Crank Set Screw .....                                  |
| 200414c | 10706 | Feed Driving Rock Shaft Screw Center (2) .....                                 |
| 201512E | 10706 | Feed Driving Rock Shaft Screw Center Nut (2) .....                             |
| 203948  | 10706 | Feed Lifting Cam with 200390c and 202126 .....                                 |
| 202126  | 12653 | Feed Lifting Cam Position Pin .....  |
| 200390c | 10706 | " " " Set Screw .....  |
| *221817 | ---   | " Regulating Handle .....  |
| 203950  | 10708 | " " " Escutcheon .....   |
| 200137H | 10708 | " " " " " Screw (2) .....  |
| 202064  | 12653 | Feed Regulating Handle Position Pin .....                                      |
| *203951 | ---   | Feed Regulator and Reverser .....  |
| 221841  | ---   | " " " " 203951 with 202064 and 221817 .....                                    |
| 204213  | 12641 | Feed Regulator and Reverser Sleeve (split) .....                               |
| 200362c | 10708 | Feed Regulator and Reverser Sleeve Set Screw .....                             |
| 202668  | 12659 | Feed Regulator and Reverser Slide Block .....                                  |
| 200819c | 12663 | Feed Regulator and Reverser Slide Block Screw Stud .....                       |
| 221818  | 12663 | Feed Regulator and Reverser Stop .....   |
| 204234  | 10708 | " " " " " " Pin .....  |
| 200113F | 10708 | Feed Regulator and Reverser Stop Screw .....                                   |
| 203954  | 10708 | Feed Regulator and Reverser Stop Screw Washer .....                            |
| 200084F | 10708 | Feed Regulator and Reverser Stop Screw Washer Screw .....                      |
| *202116 | ---   | Hand Wheel .....   |
| *208712 | ---   | " " 202116 with 202121 and 204389 .....  |

| No.     | Plate | Name   |
|---------|-------|--|
| 202117  | 10212 | Hand Wheel 208712 with 202125, three each 200079H and 202126 ..                                    |
| 202123  | 10212 | Hand Wheel Bracket with 200363c and 202140 .....   |
| 202124  | 12663 | Hand Wheel Bracket Eccentric Stud  |
| 200363c | 12663 | " " " " " " Set Screw .....  |
| 200036E | 12663 | Hand Wheel Bracket Screw (2) ...   |
| 202118  | 10212 | " " Crank .....  |
| 202119  | 10212 | " " " Handle (wood) ..   |
| 200212E | 10212 | " " " Screw .....  |
| 201528E | 12663 | " " " " " Nut ..   |
| 202120  | 12663 | " " " Hinge Pin .....  |
| 202121  | 12663 | " " " Lock Pin .....   |
| 204389  | 12663 | " " " " " Spring   |
| *202125 | —     | " " Gear .....   |
| 202126  | 12653 | " " " Position Pin ...   |
| 200079H | 10710 | " " " Screw .....  |
| 202127  | 10212 | " " Latch with 202128 .....  |
| 202128  | 12663 | " " " Pin .....  |
| 200319E | 12663 | " " " Screw .....  |
| 204986  | 12663 | " " " Spring .....   |
| 200319E | 12663 | " " " " Screw ...  |
| 202130  | —     | Hand Wheel complete, Nos. 200212E, 201528E, 202117 to 202120, 202127, 204986 and two 200319E ..... |
| 205949  | —     | Hand Wheel Bracket complete, Nos. 202123, 202124 and 202130 .....                                  |
| *202051 | —     | Hook (sewing) .....  |
| 208742  | 12642 | " 202051 with 200610E, 200611E, 202063, 202064 and 208741 .....                                    |
| 203955  | —     | Hook 208742 with 203948 and 203956   |
| 221819  | —     | Hook and Bobbin Case complete, Nos. 203955 and 221813 .....  |
| 202063  | 12653 | Hook Gib .....   |
| 200610E | 12653 | " " Hinge Screw .....  |
| 200611E | 12653 | " " Screw .....  |
| 202064  | 12653 | " Pin .....  |
| *208741 | —     | " Shaft, 9/16 in. long .....   |
| 205965  | 12653 | " " Bushing .....  |
| 200328c | 10706 | " " " Position Screw ..  |
| 208825  | 12653 | " " Crank .....  |
| 205980  | —     | " " " 208825 with two 200378c .....  |
| 200378c | 12653 | Hook Shaft Crank Set Screw .....   |
| 202668  | 12659 | " " " Slide Block .....  |
| 200822c | 12659 | " " " " " Screw Stud .....   |

| No.     | Plate | Name  |
|---------|-------|---|
| 201525E | 10706 | Hook Shaft Crank Slide Block Screw Stud Nut .....                             |
| 203956  | 12656 | Hook Washer .....   |
| 203971  | 12665 | Knee Lifter Connection Lever with 203976 .....                                |
| 203974  | —     | Knee Lifter Connection Lever 203971 with 203972, 203973 and two 200262H ..... |
| 200262H | 12656 | Knee Lifter Connection Lever Hinge Screw .....                                |
| 203972  | 12665 | Knee Lifter Connection Lever Lifting Rod with 202302 .....                    |
| 202302  | 10710 | Knee Lifter Connection Lever Lifting Rod Cotter Pin .....                     |
| 203976  | 10710 | Knee Lifter Connection Lever Pin  |
| 203973  | 12665 | " " Lifting Lever .....   |
| 200262H | 12656 | " " " " Hinge Screw .....   |
| 203957  | 12642 | Needle Bar with 200117E, 200175D and 203967 .....                             |
| 203959  | 12663 | Needle Bar Connecting Link .....  |
| 200667c | 12663 | " " " " Screw Stud .....  |
| *208735 | —     | Needle Bar Connecting Stud .....  |
| 208736  | 12656 | " " " " 208735 with two 200387c .....   |
| 200387c | 12663 | Needle Bar Connecting Stud Set Screw .....                                    |
| 203967  | 12663 | Needle Bar Thread Guide .....   |
| 200175D | 12663 | " " " " Screw ..  |
| 200117E | 12656 | " Set Screw .....   |
| 203958  | 12642 | Presser Bar (hollow) with 200074E   |
| 202046  | 12663 | " " Guide Bracket with 200387c .....  |
| 200387c | 12663 | Presser Bar Guide Bracket Set Screw .....                                     |
| 202047  | 12663 | Presser Bar Lifter .....  |
| 200026D | 12656 | " " " Hinge Screw ..  |
| 202048  | 12656 | " " Sleeve .....  |
| 221820  | 12663 | " " Spring .....  |
| 200499B | 12656 | " " Thumb Screw (pressure regulating) .....                                   |
| 221821  | 12664 | Presser Foot .....  |
| 200074E | 12656 | " " Screw .....   |
| 202068  | 10710 | Spool Holder Base .....   |
| 200575H | 10710 | " " " Screw .....   |
| 204296  | 10710 | " " Wire .....  |
| 200079H | 10710 | " " " Hinge Screw ...   |

| No.     | Plate | Name   |
|---------|-------|--|
| 204297  | —     | Spool Holder complete, Nos. 200079H, 202068 and 204296 .....   |
| 221843  | 12642 | Take-up Cam with 200335c, 200431c and 200667c .....  |
| 200431c | 12663 | Take-up Cam Position Screw .....   |
| 200335c | 12659 | " " Set Screw .....  |
| 203961  | 12664 | " Lever with 201816 .....  |
| 200251H | 12664 | " " Bearing Screw .....  |
| 201816  | 12656 | " " Roller .....   |
| 202074  | 12664 | Tension Pulley .....   |
| 202149  | 12656 | " Release Plunger .....  |
| 208696  | —     | " Slide .....  |
| 202076  | 12656 | " " 208696 with 202077 .....   |
| 202077  | 12656 | " Spring .....   |
| 202078  | 12664 | " Spring .....   |
| 200630B | 12664 | " Stud .....   |
| 200368H | 12653 | " " Set Screw .....  |
| 201572B | 12656 | " Thumb Nut .....  |
| 204271  | 12656 | " Washer (steel) .....   |
| 205656  | —     | " " (felt) .....   |
| 202079  | —     | " " " .....  |
| 221840  | —     | Tension complete, Nos. 200630B, 201572B, 202074, 202078, 202079, 202149, 204271 and 205656 .....           |
| 204274  | 12656 | Thread Controller Plate .....  |
| 200577H | 12653 | " " " Screw .....  |
| 202098  | 12656 | " " Roller .....   |
| 204275  | 12656 | " " " Guard .....  |
| 202084  | 12656 | " " " Washer .....   |
| 200300c | 12656 | " " " Screw .....  |
| 203964  | 12664 | " " Spring .....   |
| 204333  | 12656 | " " " Guard .....  |
| 200581H | 12656 | " " " Screw .....  |
| 202087  | 12664 | " " " Stop .....   |
| 204795  | 12664 | " " " Stud with 204925 .....   |
| 200368H | 12653 | Thread Controller Spring Stud Set Screw .....  |
| 204925  | 12659 | Thread Controller Spring Stud Washer .....   |
| 203965  | 12664 | Thread Controller complete, Nos. 200300c, 200581H, 202084, 202098, 203964, 204274, 204275 and 204333 ..... |
| 202095  | 12656 | Thread Cutter .....  |
| 200137H | 10708 | " " Screw .....  |
| 204281  | 12656 | " Retainer Guide Wire .....  |
| 202091  | 12656 | " " Sleeve .....   |
| 202092  | 12656 | " " Spring (spiral) .....  |
| 204058  | 12656 | " " Stud .....   |

## LIST OF PARTS COMPLETE

FOR

## MACHINE No. 11w7

DROP FEED. MOTOR DRIVE

For Stitching or Joining Tape Belts on Spinning  
and Twisting Frames

| No.     | Plate | Name   |
|---------|-------|--|
| *221803 | —     | Arm with 200009H, 202002, 203922 and 204234 .....                                      |
| 204163  | 10710 | Arm Cap .....  |
| 200278H | 10710 | " " Screw .....  |
| 202248  | 10710 | " " " Washer .....   |
| 202004  | 12653 | " Position Pin (2) .....   |
| 200963E | 12659 | " Screw (3) .....  |
| 202005  | 12653 | " " Washer (3) .....   |
| 203923  | 12660 | " Shaft .....  |
| 202002  | 12653 | " " Bushing .....  |
| 200009H | 12653 | " " " Stop Screw .....   |
| 203924  | —     | " " Connection with 202009 and two 200054E .....                                       |
| 203925  | 12660 | Arm Shaft Connection 203924 with 203926, two each 200822c, 201525E and 202668 .....    |
| *202009 | —     | Arm Shaft Connection Cap .....   |
| 200054E | 12659 | " " " Screw .....  |
| 203926  | 12653 | " " " Slide Block .....  |
| 203927  | 10708 | " " " " " Stud .....   |
| 200427c | 12653 | " " " " " " " " Position Screw .....   |
| 200352c | 12653 | Arm Shaft Connection Slide Block Stud Set Screw .....                                  |
| 203922  | 12660 | Arm Side Plate .....   |
| 203969  | 12643 | Balance Wheel, 5½ in. diam. (belt groove 2¼ in. diam.), with 200328c and 200335c ..... |
| 200062H | 12641 | Balance Wheel Adjusting Screw .....  |
| 200328c | 10706 | " " Position Screw .....   |
| 208783  | 12643 | " " Pulley, 2¼ in. diameter .....  |
| 202015  | 12641 | Balance Wheel Pulley Spring Washer .....   |

From the library of: Diamond Needle Corp

| No.     | Plate | Name  |
|---------|-------|---|
| 200368H | 12653 | Thread Retainer Stud Set Screw ..                                 |
| 204059  | ---   | Thread Retainer complete, Nos.<br>202091, 202092 and 204058 ..... |
| 221822  | 12664 | Throat Plate, 38 needle hole, for<br>needle sizes 23 and 24 ..... |
| 200577H | 12653 | Throat Plate Screw (2) .....                                      |

| No.     | Plate | Name  |
|---------|-------|---|
| 200335c | 12659 | Balance Wheel Set Screw .....   |
| 201569B | 12641 | " " Thumb Nut with<br>200609F .....   |
| 200609F | 12641 | Balance Wheel Thumb Nut Stop<br>Screw .....   |
| 202016  | 12641 | Balance Wheel Thumb Nut Stop<br>Washer .....  |
| 203968  | ---   | Balance Wheel complete, Nos.<br>201569B, 202015, 202016, 203969<br>and 208783 ..... |
| *221838 | ---   | Bed with 200328c and 205965 .....   |
| 202168  | 12653 | " Hinge Connection (2) .....  |
| 200575H | 10710 | " " " Screw (4) ....  |
| 202113  | ---   | " Slide (front) .....   |
| 202114  | 12660 | " " 202113 with 202115 and<br>two 200144E .....                                     |
| 202115  | 12653 | Bed Slide (front) Spring .....  |
| 200144E | 12641 | " " " " Screw ...   |
| 221805  | 12661 | Belt Guide (back) (adjustable) with<br>350093c and two 200798E .....                |
| 350092D | 12659 | Belt Guide (back) (adjustable)<br>Screw .....                                       |
| 200681c | 12659 | Belt Guide (back) (adjustable)<br>Screw Stud .....                                  |
| 221806  | 12661 | Belt Guide (back) Adjusting Slide<br>with 200681c .....                             |
| 350093c | 12659 | Belt Guide (back) Adjusting Slide<br>Position Screw .....                           |
| 200798E | 12659 | Belt Guide (back) Adjusting Slide<br>Screw Stud .....                               |
| 201556D | 12659 | Belt Guide (back) Adjusting Slide<br>Screw Stud Thumb Nut .....                     |
| 221807  | 12661 | Belt Guide (front) (adjustable) ...   |
| 200798E | 12659 | " " " " Screw<br>Stud .....   |
| 201556D | 12659 | Belt Guide (front) (adjustable)<br>Screw Stud Thumb Nut .....                       |
| 221808  | 12661 | Belt Guide Adjusting Lever with<br>200861B .....                                    |
| 221809  | 12661 | Belt Guide Adjusting Lever Bolster<br>with 200798E .....                            |
| 350094D | 12659 | Belt Guide Adjusting Lever Hinge<br>Screw .....                                     |
| 350095c | 12659 | Belt Guide Adjusting Lever Posi-<br>tion Screw .....                                |
| 201535H | 12641 | Belt Guide Adjusting Lever Posi-<br>tion Screw Nut .....                            |
| 200798E | 12659 | Belt Guide Adjusting Lever Screw<br>Stud .....                                      |



| No.     | Plate | Name   |
|---------|-------|--|
| 201556D | 12659 | Belt Guide Adjusting Lever Screw Stud Thumb Nut .....  |
| 200861B | 12659 | Belt Guide Adjusting Lever Thumb Screw .....   |
| 221810  | 12661 | Belt Guide Base Plate .....  |
| 221811  | —     | Adjustable Belt Guide Attachment complete, Nos. 201535H, 221805 to 221810, 350094D, 350095C, two 350092D and three 201556D ..... |
| 200577H | 12653 | Adjustable Belt Guide Attachment Screw .....   |
| 200911D | 12659 | Adjustable Belt Guide Attachment Screw .....   |
| 202053  | 12653 | Bobbin .....   |
| *221812 | —     | " Case .....   |
| 202055  | 12653 | " " Latch .....  |
| *202056 | —     | " " Pin .....  |
| *202100 | —     | " " Post .....   |
| 202101  | 12653 | " " " Washer .....   |
| 202057  | 12653 | " " " Spring .....   |
| 202058  | 12653 | " " " Plunger .....  |
| 200597F | 12659 | " " Tension Regulating Screw .....   |
| 203932  | 12653 | Bobbin Case Tension Spring .....   |
| 200594C | 12653 | " " " " Screw .....  |
| 221813  | 12659 | Bobbin Case complete, Nos. 200594C, 200597F, 202055 to 202058, 202100, 202101, 203932 and 221812 .....                           |
| 203934  | 10706 | Bobbin Case Stop .....   |
| 200390C | 10706 | " " " Adjusting Screw .....  |
| 203936  | 10706 | " " " Bracket .....  |
| 200027E | 10706 | " " " Screw .....  |
| 205979  | 12653 | " " " Hinge Pin .....  |
| 203935  | 10706 | " " " Spring .....   |
| 203966  | 19706 | Bobbin Case Stop Bracket complete, Nos. 200390C, 203934 to 203936 and 205979 .....   |
| 203937  | 12643 | Face Plate with 202023, 202087, 204281 and four 200368H .....  |
| 200053C | 12659 | Face Plate Screw .....   |
| 202023  | 12653 | " " Thread Guide .....   |
| 200368H | 12653 | " " " " Set Screw .....  |
| 221839  | —     | Face Plate complete, Nos. 200577H, 203937, 203965, 204059, 204795 and 221840 .....   |
| 203939  | 12642 | Feed Bar with 204340 .....   |
| 200365C | 12653 | " " Adjusting Screw .....  |
| 203940  | 10706 | " " " Spring (flat) .....  |
| 200131E | 12659 | " " " " Screw .....  |
| 200415C | 10706 | " " Screw Center .....   |

| No.     | Plate | Name   |
|---------|-------|--|
| 201525E | 10706 | Feed Bar Screw Center Nut .....  |
| 203941  | 10706 | " " Spring (spiral) .....  |
| 204340  | 12659 | " " " Hook .....   |
| 204189  | 12659 | " " " " (on Bed) .....   |
| 221844  | —     | Feed Bar complete, Nos. 200365C, 203939, 203940, 221816 and four 200131E ..... |
| 221816  | 12664 | Feed Dog .....   |
| 200131E | 12659 | " " Screw .....  |
| 203943  | 10708 | " Driving Crank .....  |
| 205977  | —     | " " " 203943 with 200252C, 201531E and 203944 .....                            |
| 203944  | 10708 | Feed Driving Crank Link .....  |
| 200252C | 10708 | " " " " Screw Stud .....   |
| 201531E | 10708 | Feed Driving Crank Link Screw Stud Nut .....                                   |
| 200648E | 10706 | Feed Driving Crank Screw Stud .....  |
| 200372C | 10706 | " " " " " " Check Screw .....  |
| 202668  | 12659 | Feed Driving Crank Slide Block .....   |
| 200822C | 12659 | " " " " " " Screw Stud .....   |
| 201525E | 10706 | Feed Driving Crank Slide Block Screw Stud Nut .....                            |
| 203945  | 12642 | Feed Driving Rock Shaft with two each 200415C and 201525E .....                |
| 203946  | 12642 | Feed Driving Rock Shaft Crank with two each 200378C, 200415C and 201525E ..... |
| 203947  | 12642 | Feed Driving Rock Shaft Crank Connection with 200819C .....                    |
| 200415C | 10706 | Feed Driving Rock Shaft Crank Connection Screw Center .....                    |
| 201525E | 10706 | Feed Driving Rock Shaft Crank Connection Screw Center Nut .....                |
| 200378C | 12653 | Feed Driving Rock Shaft Crank Set Screw .....                                  |
| 200414C | 10706 | Feed Driving Rock Shaft Screw Center (2) .....                                 |
| 201512E | 10706 | Feed Driving Rock Shaft Screw Center Nut (2) .....                             |
| 203948  | 10706 | Feed Lifting Cam with 200390C and 202126 .....                                 |
| 202126  | 12653 | Feed Lifting Cam Position Pin .....  |
| 200390C | 10706 | " " " Set Screw .....  |
| *221817 | —     | " Regulating Handle .....  |
| 203950  | 10708 | " " " Escutcheon .....   |
| 200137H | 10708 | " " " " Screw (2) .....  |

| No.     | Plate | Name  |
|---------|-------|---|
| 202064  | 12653 | Feed Regulating Handle Position Pin .....   |
| *203951 | —     | Feed Regulator and Reverser .....   |
| 221841  | —     | “ “ “ “ 203951<br>with 202064 and 221817 .....                                      |
| 204213  | 12641 | Feed Regulator and Reverser Sleeve (split) .....                                    |
| 200362c | 10708 | Feed Regulator and Reverser Sleeve Set Screw .....                                  |
| 202668  | 12659 | Feed Regulator and Reverser Slide Block .....                                       |
| 200819c | 12663 | Feed Regulator and Reverser Slide Block Screw Stud .....                            |
| 221818  | 12663 | Feed Regulator and Reverser Stop  |
| 204234  | 10708 | “ “ “ “ “<br>Pin .....  |
| 200113F | 10708 | Feed Regulator and Reverser Stop Screw .....  |
| 203954  | 10708 | Feed Regulator and Reverser Stop Screw Washer .....                                 |
| 200084F | 10708 | Feed Regulator and Reverser Stop Screw Washer Screw .....                           |
| *202051 | —     | Hook (sewing) .....   |
| 208742  | 12642 | “ 202051 with 200610F, 200611F,<br>202063, 202064 and 208741 .....                  |
| 203955  | —     | Hook 208742 with 203948 and 203956  |
| 221819  | —     | Hook and Bobbin Case complete,<br>Nos. 203955 and 221813 .....                      |
| 202063  | 12653 | Hook Gib .....  |
| 200610F | 12653 | “ “ Hinge Screw .....   |
| 200611F | 12653 | “ “ Screw .....   |
| 202064  | 12653 | “ Pin .....   |
| *208741 | —     | “ Shaft, 9¼ in. long .....  |
| 205965  | 12653 | “ “ Bushing .....   |
| 200328c | 19706 | “ “ “ Position Screw ..   |
| 208825  | 12653 | “ “ Crank .....   |
| 205980  | —     | “ “ “ 208825 with two<br>200378c .....  |
| 200378c | 12653 | Hook Shaft Crank Set Screw .....  |
| 202668  | 12659 | “ “ “ Slide Block .....   |
| 200822c | 12659 | “ “ “ “ “ Screw<br>Stud .....   |
| 201525E | 10706 | Hook Shaft Crank Slide Block<br>Screw Stud Nut .....                                |
| 203956  | 12656 | Hook Washer .....   |
| 203971  | 12665 | Knee Lifter Connection Lever with<br>203976 .....                                   |
| 203974  | —     | Knee Lifter Connection Lever<br>203971 with 203972, 203973 and<br>two 200262u ..... |

| No.     | Plate | Name  |
|---------|-------|---|
| 200262u | 12656 | Knee Lifter Connection Lever<br>Hinge Screw .....               |
| 203972  | 12665 | Knee Lifter Connection Lever Lift-<br>ing Rod with 202302 ..... |
| 202302  | 10710 | Knee Lifter Connection Lever Lift-<br>ing Rod Cotter Pin .....  |
| 203976  | 10710 | Knee Lifter Connection Lever Pin                                |
| 203973  | 12665 | “ “ Lifting Lever .....   |
| 200262u | 12656 | “ “ “ “ Hinge<br>Screw .....                                    |
| 203957  | 12642 | Needle Bar with 200117F, 200175D<br>and 203967 .....            |
| 203959  | 12663 | Needle Bar Connecting Link .....                                |
| 200667c | 12663 | “ “ “ “ Screw<br>Stud .....                                     |
| *208735 | —     | Needle Bar Connecting Stud .....                                |
| 208736  | 12656 | “ “ “ “ 208735<br>with two 200387c .....                        |
| 200387c | 12663 | Needle Bar Connecting Stud Set<br>Screw .....                   |
| 203967  | 12663 | Needle Bar Thread Guide .....                                   |
| 200175D | 12663 | “ “ “ “ Screw ...   |
| 200117F | 12656 | “ Set Screw .....   |
| 203958  | 12642 | Presser Bar (hollow) with 200074F                               |
| 202046  | 12663 | “ “ Guide Bracket with<br>200387c .....                         |
| 200387c | 12663 | Presser Bar Guide Bracket Set<br>Screw .....                    |
| 202047  | 12663 | Presser Bar Lifter .....  |
| 200026D | 12656 | “ “ “ Hinge Screw ...   |
| 202048  | 12656 | “ “ Sleeve .....  |
| 221820  | 12663 | “ “ Spring .....  |
| 200499u | 12656 | “ “ Thumb Screw (pres-<br>sure regulating) .....                |
| 221821  | 12664 | Presser Foot .....  |
| 200074F | 12656 | “ “ Screw .....   |
| 202068  | 19710 | Spool Holder Base .....   |
| 200575u | 10710 | “ “ “ Screw .....   |
| 204296  | 10710 | “ “ Wire .....  |
| 200079u | 10710 | “ “ “ Hinge Screw ...   |
| 204297  | —     | Spool Holder complete, Nos.<br>200079u, 202068 and 204296 ..... |
| 221843  | 12642 | Take-up Cam with 200335c, 200431c<br>and 200667c .....          |
| 200431c | 12663 | Take-up Cam Position Screw .....                                |
| 200335c | 12659 | “ “ Set Screw .....   |
| 203961  | 12664 | “ Lever with 201816 .....                                       |
| 200251u | 12664 | “ “ Bearing Screw .....   |
| 201816  | 12656 | “ “ Roller .....  |

| No.     | Plate | Name   |
|---------|-------|--|
| 202074  | 12664 | Tension Pulley .....   |
| 202149  | 12656 | " Release Plunger .....  |
| 208696  | —     | " Slide .....  |
| 202076  | 12656 | " " 208696 with 202077 .....   |
| 202077  | 12656 | " " Spring .....   |
| 202078  | 12664 | " Spring .....   |
| 200630B | 12664 | " Stud .....   |
| 200368H | 12653 | " " Set Screw .....  |
| 261572B | 12656 | " Thumb Nut .....  |
| 204271  | 12656 | " Washer (steel) .....   |
| 205656  | —     | " " (felt) .....   |
| 202079  | —     | " " " .....  |
| 221840  | —     | Tension complete, Nos. 200630B,<br>201572B, 202074, 202078, 202079,<br>202149, 204271 and 205656 .....           |
| 204274  | 12656 | Thread Controller Plate .....  |
| 200577H | 12653 | " " " Screw .....  |
| 202098  | 12656 | " " Roller .....   |
| 204275  | 12656 | " " Guard .....  |
| 202084  | 12656 | " " " Washer .....   |
| 200300C | 12656 | " " " Screw .....  |
| 203964  | 12664 | " " Spring .....   |
| 204333  | 12656 | " " Guard .....  |
| 200581H | 12656 | " " " Screw .....  |
| 202087  | 12664 | " " Stop .....   |
| 204795  | 12664 | " " Stud with<br>204925 .....  |
| 200368H | 12653 | Thread Controller Spring Stud Set<br>Screw .....   |
| 204925  | 12659 | Thread Controller Spring Stud<br>Washer .....  |
| 203965  | 12664 | Thread Controller complete, Nos.<br>200300C, 200581H, 202084, 202098,<br>203964, 204274, 204275 and 204333 ..... |
| 202095  | 12656 | Thread Cutter .....  |
| 200137H | 10708 | " " Screw .....  |
| 204281  | 12656 | " Retainer Guide Wire .....  |
| 202091  | 12656 | " " Sleeve .....   |
| 202092  | 12656 | " Spring (spiral) .....  |
| 201058  | 12656 | " Stud .....   |
| 200368H | 12653 | " " Set Screw .....  |
| 204059  | —     | Thread Retainer complete, Nos.<br>202091, 202092 and 204058 .....  |
| 221822  | 12664 | Throat Plate, 38 needle hole, for<br>needle sizes 23 and 24 .....  |
| 200577H | 12653 | Throat Plate Screw (2) .....   |

## ACCESSORIES

FOR MACHINE No. 11w6

| No.                | Plate | Name  |
|--------------------|-------|---|
| 202053             | 12653 | Bobbin (5) .....  |
| *225482            | —     | " Case Screw Driver Blade ..  |
| *225483            | —     | " " " " Handle ..   |
| 225497             | 12666 | Bobbin Case Screw Driver com-<br>plete, Nos. 225482 and 225483 ..                         |
| 128 x 3            | —     | Needles, six, size 23 .....   |
| 225045             | —     | Drip Pan with four wood screws $\frac{1}{2}$<br>in., No. 5 .....                          |
| 36569              | 12666 | Oiler with 36571 .....  |
| 36570              | —     | " 36569, filled with oil .....  |
| 36571              | 12666 | " Spout, 1 $\frac{1}{2}$ in. long, with 36807 ..  |
| 36807              | —     | " " Washer (leather) .....  |
| *225484            | —     | Screw Driver Blade .....  |
| *225485            | —     | " " Handle .....  |
| 225498             | 12666 | Screw Driver complete (7 $\frac{1}{2}$ in.<br>long), Nos. 225484 and 225485 ..            |
| 225553             | 12666 | Wrench (steel) .....  |
| <b>KNEE LIFTER</b> |       |   |
| 221823             | 12665 | Knee Lifter Rock Lever with three<br>200528C .....  |
| 221824             | 12665 | Knee Lifter Rock Lever Knee Plate<br>with 200526C .....                                   |
| 221825             | 12665 | Knee Lifter Rock Lever Knee Plate<br>Arm .....  |
| 221842             | 12664 | Knee Lifter Rock Lever Knee Plate<br>Arm Collar with two 200393C ...                      |
| 200393C            | 12664 | Knee Lifter Rock Lever Knee Plate<br>Arm Collar Set Screw .....                           |
| 200526C            | 12664 | Knee Lifter Rock Lever Knee Plate<br>Set Screw .....                                      |
| 227728             | 12665 | Knee Lifter Rock Lever Rod, 3 in.<br>long, with 227729 .....                              |
| *227729            | —     | Knee Lifter Rock Lever Rod Cap<br>or Oil Guard .....                                      |
| 200528C            | 12664 | Knee Lifter Rock Lever Rod Set<br>Screw .....   |
| 200528C            | 12664 | Knee Lifter Rock Lever Set Screw ..   |
| 221826             | —     | Knee Lifter Rock Lever complete,<br>Nos. 221823 to 221825, 227728 and<br>two 221842 ..... |

## FOR MACHINE No. 11w7

Same as for No. 11w6 with the following exceptions:

## BOBBIN WINDER

## Swing Automatic, Right Hand

| No.     | Plate | Name   |
|---------|-------|--|
| 202470  | 12320 | Base .....   |
| 202471  | 12320 | Frame .....  |
| 200221D | 12319 | " Hinge Screw .....  |
| 202472  | 12319 | " Spring .....   |
| 200161D | 12319 | " " Screw .....  |
| 202473  | 12320 | Pulley with 200380c .....  |
| 200380c | 12319 | " Set Screw .....  |
| 202474  | 12320 | Spindle .....  |
| 227522  | 12319 | Stop Latch .....   |
| 200056E | 12319 | " " Screw .....  |
| 202477  | 12319 | " " Thumb Lever .....  |
| 200299H | 12319 | " " " " Hinge<br>Screw .....   |
| 200299H | 12319 | Stop Latch Thumb Lever Joint<br>Screw .....  |
| 201537H | 12319 | Stop Latch Thumb Lever Joint<br>Screw Nut .....  |
| 202478  | 12319 | Stop Latch Trip Lever .....  |
| 200299H | 12319 | " " " " Hinge Screw .....  |
| 227523  | 12320 | Bobbin Winder complete, Nos.<br>200056E, 200161D, 200221D, 201537H,<br>202470 to 202474, 202477, 202478,<br>227522, three 200299H and two<br>round head screws $\frac{3}{4}$ in., No. 12 |
| 202480  | 12320 | Spool Holder Base with 200355H<br>and 202484 .....   |
| 202481  | 12320 | Spool Holder Base Spool Pin .....  |
| 202482  | 12319 | " " Tension Disc (lower or<br>upper) .....   |
| 200011E | 12319 | Spool Holder Tension Disc Screw .....  |
| 200355H | 12319 | " " " " " " "<br>Set Screw .....   |
| 202483  | 12319 | Spool Holder Tension Disc Spring<br>(brass) .....  |
| 202484  | 12319 | Spool Holder Tension Disc Thread<br>Guide .....  |
| 202485  | 12320 | Bobbin Winder Spool Holder com-<br>plete, Nos. 200011E, 202480, 202481,<br>202483, two 202482 and one wood<br>screw 1 in., No. 13 .....  |
| 227524  | —     | Bobbin Winder and Spool Holder<br>complete, Nos. 202485 and 227523   |

## TRUCK

## FOR MACHINE No. 11w6

| No.     | Plate | Name   |
|---------|-------|--|
| 221827  | —     | Machine Base (wood) with 228092,<br>two 227493 and four 225589 .....   |
| 221828  | 12667 | Machine Base Bracket with four<br>wood screws $\frac{3}{4}$ in., No. 12 .....  |
| 228092  | 12666 | Machine Button with one wood<br>screw $1\frac{1}{2}$ in., No. 14, R.H.B. ...   |
| 221829  | —     | Machine Cover .....  |
| 225589  | —     | " Cushion (leather) .....  |
| 227493  | 12666 | " Hinge Plate 202259 with two<br>wood screws $\frac{3}{4}$ in., No. 12u .....  |
| 41400   | 12666 | Machine Rest Pin (wood) .....  |
| 221830  | 12667 | Stool Base with 200522c and four<br>wood screws $1\frac{1}{4}$ in., No. 12, R.H.B.   |
| 227134  | —     | Stool Seat .....   |
| 227053  | —     | " " 227134 with 227132 .....   |
| 227132  | 12667 | " " Bracket with 227556 and<br>three wood screws 1 in., No. 12   |
| 227556  | 12667 | Stool Seat Spindle .....   |
| 200522c | 10710 | " " " Set Screw .....  |
| 221831  | 12667 | Truck Axle .....   |
| 221832  | 12667 | " " Bearing with three<br>wood screws $1\frac{1}{4}$ in., No. 12 .....   |
| 221833  | 12663 | Truck Axle Cotter Pin .....  |
| 221834  | —     | " Body .....   |
| 221835  | 12667 | " Caster with four wood screws<br>$1\frac{1}{2}$ in., No. 18 .....   |
| 221836  | 12667 | Truck Wheel .....  |
| 221837  | —     | Truck complete, Nos. 41400, 221827,<br>221829 to 221831, 221834, 227053,<br>two each 221832, 221833, 221835,<br>221836 and four 221828 ..... |

## FOR MACHINE No. 11w7

|        |       |   |
|--------|-------|---|
| 225190 | —     | Belt, size $\frac{1}{4}$ in., length $39\frac{1}{2}$ in., with<br>25128 ..... |
| 25128  | 12641 | Belt Hook .....   |
| 221876 | —     | Machine Base (wood) with 228092,<br>two 227493 and four 225589 .....          |
| 221828 | 12667 | Machine Base Bracket with four<br>wood screws $\frac{3}{4}$ in., No. 12 ..... |

| No.     | Plate | Name  |
|---------|-------|---|
| 223092  | 12666 | Machine Button with one wood screw 1½ in., No. 14, R.H.B. ....  |
| 221829  | —     | Machine Cover .....   |
| 225589  | —     | " Cushion (leather) .....   |
| 227493  | 12666 | " Hinge Plate 202259 with two wood screws ¾ in., No. 12H .....  |
| 41400   | 12666 | Machine Rest Pin (wood) .....   |
| 221877  | —     | Motor End Guard with four wood screws ¾ in., No. 9, R.H.B. ....   |
| 221878  | 12643 | Starting Treadle with 221883 .....  |
| 221879  | 12643 | " " Bracket .....   |
| 221880  | 12643 | " " " 221879 with 221878, 221881 and two wood screws 1¼ in., No. 12 .....   |
| 221881  | 12641 | Starting Treadle Hinge Pin .....  |
| 221882  | 12643 | " " Pitman .....  |
| 221883  | 12641 | " " " Hook .....  |
| 221830  | 12667 | Stool Base with 200522c and four wood screws 1¼ in., No. 12, R.H.B. ....  |
| 227134  | —     | Stool Seat .....  |
| 227053  | —     | " " 227134 with 227132 ....   |
| 227132  | 12667 | " " Bracket with 227556 and three wood screws 1 in., No. 12 .....   |
| 227556  | 12667 | Stool Seat Spindle .....  |
| 200522c | 10710 | " " " Set Screw .....   |
| 221831  | 12667 | Truck Axle .....  |
| 221832  | 12667 | " " Bearing with three wood screws 1¼ in., No. 12 .....   |
| 221833  | 12663 | Truck Axle Cotter Pin .....   |
| 221884  | —     | " Body .....  |
| 221835  | 12667 | " Caster with four wood screws 1½ in., No. 18 .....   |
| 221836  | 12667 | Truck Wheel .....   |
| 221885  | —     | Truck complete, Nos. 41400, 221829 to 221831, 221876, 221877, 221880, 221882, 221884, 225190, 227053, two each 221832, 221833, 221835, 221836 and four 221828 ..... |

**NUMERICAL LIST OF PARTS**  
**FOR**  
**MACHINES**  
**Nos. 11w6 and 11w7**

**NUMERICAL LIST OF PARTS**

| No.     | Plate | Name   |
|---------|-------|--|
| 25128   | 12641 | Belt Hook, for 225490 .....  |
| 36569   | 12666 | Oiler with 36571, for 36570 .....                                    |
| 36570   |       | " 36569, filled with oil .....                                       |
| 36571   | 12666 | " Spout, 1 $\frac{1}{2}$ in. long, with 36897,<br>for 36569 .....    |
| 36897   |       | Oiler Spout Washer (leather), for<br>36571 .....                     |
| 4400    | 12666 | Machine Rest Pin (wood), for<br>221837 and 221885 .....              |
| 200009b | 12653 | Arm Shaft Bushing Stop Screw, for<br>221803 .....                    |
| 200011c | 12319 | Bobbin Winder Spool Holder Ten-<br>sion Disc Screw, for 202485 ..... |
| 200026b | 12656 | Presser Bar Lifter Hinge Screw ..                                    |
| 200027c | 10706 | Bobbin Case Stop Bracket Screw ..                                    |
| 200036e | 12663 | Hand Wheel Bracket Screw, for<br>Machine No. 11w6 .....              |
| 200053c | 12659 | Face Plate Screw .....   |
| 200054c | 12659 | Arm Shaft Connection Screw, for<br>203924 .....                      |
| 200056e | 12319 | Bobbin Winder Stop Latch Screw,<br>for 227523 .....                  |
| 200062b | 12641 | Balance Wheel Adjusting Screw,<br>for Machine No. 11w7 .....         |
| 200074c | 12656 | Presser Foot Screw, for 203958 ..                                    |
| 200079a | 10710 | Balance Wheel Gear Screw, for<br>221804 .....                        |
| 200079b | 10710 | Hand Wheel Gear Screw, for 202117                                    |
| 200079c | 10710 | Spool Holder Wire Hinge Screw,<br>for 204297 .....                   |
| 200084f | 10708 | Feed Regulator and Reverser Stop<br>Screw Washer Screw .....         |
| 200113f | 10708 | Feed Regulator and Reverser Stop<br>Screw .....                      |
| 200117f | 12656 | Needle Set Screw, for 203957 .....                                   |
| 200131f | 12659 | Feed Bar Adjusting Spring Screw,<br>for 221844 .....                 |
| 200131e | 12659 | Feed Dog Screw, for 221844 .....                                     |
| 200137a | 10708 | " Regulating Handle Escutcheon<br>Screw .....                        |
| 200137b | 10708 | Thread Cutter Screw .....  |
| 200144e | 12641 | Bed Slide (front) Spring Screw, for<br>202114 .....                  |

| No.     | Plate | Name  |
|---------|-------|---|
| 200161c | 12319 | Bobbin Winder Frame Spacing Screw, for 227523                       |
| 200175c | 12663 | Needle Bar Thread Guide Screw, for 203937                           |
| 200212c | 10212 | Hand Wheel Crank Handle Screw, for 202130                           |
| 200221c | 12319 | Bobbin Winder Frame Hinge Screw, for 227523                         |
| 200229c | 12659 | Bobbin Winder Frame Hinge Screw                                     |
| 200251c | 12664 | Take-up Lever Bearing Screw   |
| 200252c | 10703 | Feed Driving Crank Link Screw Stud, for 205977                      |
| 200262c | 12656 | Knee Lifter Connection Lever Hinge Screw, for 203974                |
| 200262c | 12656 | Knee Lifter Lifting Lever Hinge Screw                               |
| 200278c | 10710 | Arm Cap Screw   |
| 200299c | 12319 | Bobbin Winder Frame Hinge Screw, for Machine No. HW6                |
| 200299c | 12319 | Bobbin Winder Stop Latch Thumb Lever Hinge Screw, for 224873        |
| 200299c | 12319 | Bobbin Winder Stop Latch Thumb Lever Joint Screw, for 225423        |
| 200299c | 12319 | Bobbin Winder Stop Latch Trip Lever Hinge Screw, for 224573         |
| 200300c | 12656 | Thread Controller Roller Screw, for 202965                          |
| 200319c | 12663 | Hand Wheel Latch Screw, for 202130                                  |
| 200319c | 12663 | Hand Wheel Latch Spring Screw, for 202130                           |
| 200328c | 10706 | Balance Wheel Position Screw, for 203969                            |
| 200328c | 10706 | Hook Shaft Bushing Position Screw, for 224838                       |
| 200335c | 12659 | Balance Wheel Set Screw, for 203969 and 224804                      |
| 200335c | 12659 | Take-up Cam Set Screw, for 224843                                   |
| 200338c | 12659 | Balance Wheel Position Screw, for 224804                            |
| 200352c | 12653 | Arm Shaft Connection Slide Block Stud Set Screw                     |
| 200355c | 12319 | Bobbin Winder Spool Holder Tension Disc Screw Set Screw, for 202480 |
| 200362c | 10708 | Feed Regulator and Reverse Sleeve Set Screw                         |
| 200363c | 12663 | Hand Wheel Bracket Eccentric Stud Set Screw, for 202133             |

| No.     | Plate | Name   |
|---------|-------|--|
| 200365c | 12653 | Feed Bar Adjusting Screw, for 224844                               |
| 200368c | 12653 | Face Plate Thread Guide Set Screw, for 203937                      |
| 200368c | 12653 | Tension Stud Set Screw, for 203937                                 |
| 200368c | 12653 | Thread Controller Spring Stud Set Screw, for 203937                |
| 200368c | 12653 | Thread Retainer Stud Set Screw, for 203937                         |
| 200372c | 10706 | Feed Driving Crank Screw Stud Check Screw                          |
| 200378c | 12653 | Feed Driving Rock Shaft Crank Set Screw, for 203946                |
| 200378c | 12653 | Hook Shaft Crank Set Screw, for 205980                             |
| 200380c | 12319 | Bobbin Winder Pulley Set Screw, for 202473                         |
| 200387c | 12663 | Needle Bar Connecting Stud Set Screw, for 208736                   |
| 200387c | 12663 | Presser Bar Guide Bracket Set Screw, for 202046                    |
| 200390c | 10706 | Bobbin Case Stop Adjusting Screw, for 203966                       |
| 200390c | 10706 | Feed Lifting Cam Set Screw, for 203948                             |
| 200393c | 12664 | Knee Lifter Rock Lever Knee Plate Arm Collar Set Screw, for 224842 |
| 200414c | 10706 | Feed Driving Rock Shaft Screw Center                               |
| 200415c | 10706 | Feed Bar Screw Center, for 203946                                  |
| 200415c | 10706 | Feed Driving Rock Shaft Crank Connection Screw Center, for 203945  |
| 200427c | 12653 | Arm Shaft Connection Slide Block Stud Position Screw               |
| 200431c | 12663 | Take-up Cam Position Screw, for 224843                             |
| 200499c | 12656 | Presser Bar Thumb Screw (pressure regulating)                      |
| 200522c | 10710 | Stool Seat Spindle Set Screw, for 224830                           |
| 200526c | 12664 | Knee Lifter Rock Lever Knee Plate Set Screw, for 224824            |
| 200528c | 12664 | Knee Lifter Rock Lever Rod Set Screw, for 224823                   |
| 200528c | 12664 | Knee Lifter Rock Lever Set Screw, for 224823                       |
| 200575c | 10710 | Bed Hinge Connection Screw   |
| 200575c | 10710 | Spool Holder Base Screw  |

| No.     | Plate | Name  |
|---------|-------|---|
| 200577H | 12653 | Adjustable Belt Guide Attachment Screw                                |
| 200577H | 12653 | Thread Controller Plate Screw, for 221839                             |
| 200577H | 12653 | Throat Plate Screw  |
| 200581H | 12656 | Thread Controller Spring Guard Screw, for 203965                      |
| 200594c | 12653 | Bobbin Case Tension Spring Screw, for 221813                          |
| 200597F | 12659 | Bobbin Case Tension Regulating Screw, for 221813                      |
| 200609F | 12641 | Balance Wheel Thumb Nut Stop Screw, for 201569                        |
| 200610F | 12653 | Hook Gib Hinge Screw, for 208742                                      |
| 200611F | 12653 | " " Screw, for 208742   |
| 200630B | 12664 | Tension Stud, for 221840  |
| 200648E | 10706 | Feed Driving Crank Screw Stud   |
| 200667c | 12663 | Needle Bar Connecting Link Screw Stud, for 221843                     |
| 200684c | 12659 | Belt Guide (back) (adjustable) Screw Stud, for 221806                 |
| 200798E | 12659 | Belt Guide (back) Adjusting Slide Screw Stud, for 221805              |
| 200798E | 12659 | Belt Guide (front) (adjustable) Screw Stud                            |
| 200798E | 12659 | Belt Guide Adjusting Lever Screw Stud, for 221809                     |
| 200819c | 12663 | Feed Regulator and Reverser Slide Block Screw Stud, for 203947        |
| 200822c | 12659 | Feed Driving Crank Slide Block Screw Stud, for 203925                 |
| 200822c | 12659 | Hook Shaft Crank Slide Block Screw Stud                               |
| 200861B | 12659 | Belt Guide Adjusting Lever Thumb Screw, for 221808                    |
| 200911D | 12659 | Adjustable Belt Guide Attachment Screw                                |
| 200963E | 12659 | Arm Screw   |
| 201512E | 10706 | Feed Driving Rock Shaft Screw Center Nut                              |
| 201525E | 10706 | Feed Bar Screw Center Nut, for 203946                                 |
| 201525E | 10706 | Feed Driving Crank Slide Block Screw Stud Nut, for 203925             |
| 201525E | 10706 | Feed Driving Rock Shaft Crank Connection Screw Center Nut, for 203945 |
| 201525E | 10706 | Hook Shaft Crank Slide Block Screw Stud Nut                           |

| No.     | Plate | Name   |
|---------|-------|--|
| 201528c | 12663 | Hand Wheel Crank Handle Screw Nut, for 202130                      |
| 201531E | 10708 | Feed Driving Crank Link Screw Stud Nut, for 205977                 |
| 201535H | 12641 | Belt Guide Adjusting Lever Position Screw Nut, for 221811          |
| 201537H | 12319 | Bobbin Winder Stop Latch Thumb Lever Joint Screw Nut, for 227523   |
| 201556D | 12659 | Belt Guide (back) Adjusting Slide Screw Stud Thumb Nut, for 221811 |
| 201556D | 12659 | Belt Guide (front) (adjustable) Screw Stud Thumb Nut               |
| 201556D | 12659 | Belt Guide Adjusting Lever Screw Stud Thumb Nut                    |
| 201569B | 12641 | Balance Wheel Thumb Nut with 200609F, for 203968                   |
| 201572B | 12656 | Tension Thumb Nut, for 221840                                      |
| 201816  | 12656 | Take up Lever Roller, for 203961                                   |
| 202002  | 12653 | Arm Shaft Bushing, for 221803                                      |
| 202004  | 12653 | " Position Pin   |
| 202005  | 12653 | " Screw Washer   |
| *202009 |       | " Shaft Connection Cap, for 203924                                 |
| 202015  | 12641 | Balance Wheel Pulley Spring Washer, for 203968                     |
| 202016  | 12641 | Balance Wheel Thumb Nut Stop Washer, for 203968                    |
| 202023  | 12653 | Face Plate Thread Guide, for 203937                                |
| 202046  | 12663 | Presser Bar Guide Bracket with 200387c                             |
| 202047  | 12663 | Presser Bar Lifter   |
| 202048  | 12656 | " " Sleeve   |
| *202051 |       | Hook (sewing), for 208742  |
| 202053  | 12653 | Bobbin   |
|         |       | Nos. 202055 to 202058, for 221813                                  |
| 202055  | 12653 | Bobbin Case Latch  |
| *202056 |       | " " " Pin  |
| 202057  | 12653 | " " " Spring   |
| 202058  | 12653 | " " " " Plunger  |
| 202063  | 12653 | Hook Gib, for 208742   |
| 202064  | 12653 | Feed Regulating Handle Position Pin, for 221841                    |
| 202064  | 12653 | Hook Pin, for 208742   |
| 202068  | 10710 | Spool Holder Base, for 204297                                      |
| 202074  | 12664 | Tension Pulley, for 221840   |
| 202076  | 12656 | " Slide 208696 with 202077   |
| 202077  | 12656 | " " Spring, for 202076   |



| No.     | Plate | Name   |
|---------|-------|--|
| 202078  | 12664 | Tension Spring, for 221840 .....   |
| 202079  | -     | " Washer (felt), for 221840 ..   |
| 202084  | 12656 | Thread Controller Roller Guard Washer, for 203965 .....  |
| 202087  | 12664 | Thread Controller Spring Stop, for 203937 .....  |
| 202091  | 12656 | Thread Retainer Sleeve, for 204059   |
| 202092  | 12656 | " " Spring (spiral), for 204059 .....  |
| 202095  | 12656 | Thread Cutter .....  |
| 202098  | 12656 | " Controller Roller, for 203965  |
| *202160 |       | Bobbin Case Latch Post, for 221813   |
| 202161  | 12653 | " " " Washer, for 221813 .....   |
| 202141  | 10212 | Balance Wheel Gear, for 221804 ..  |
| 202143  |       | Bed Slide (front), for 202144 .....  |
| 202144  | 12660 | " " 202143 with 202145 and two 200144e .....   |
| 202145  | 12653 | Bed Slide (front) Spring, for 202144   |
| *202146 |       | Hand Wheel, for 208712 .....   |
|         |       | Nos. 202147 to 202120, for 202130  |
| 202147  | 10212 | Hand Wheel 208712 with 202125, three each 200079n and 202136 ..  |
| 202148  | 10212 | Hand Wheel Crank .....   |
| 202149  | 10212 | " " " Handle (wood),   |
| 202120  | 12663 | " " " Hinge Pin .....  |
| 202121  | 12663 | " " " Lock Pin, for 208712 .....   |
| 202123  | 10212 | Hand Wheel Bracket with 200363 and 202140, for 205949 .....  |
| 202124  | 12663 | Hand Wheel Bracket Eccentric Stud, for 205949 .....  |
| *202125 | -     | Hand Wheel Gear, for 202147 .....  |
| 202126  | 12653 | Feed Lifting Cam Position Pin, for 203948 .....  |
| 202126  | 12653 | Hand Wheel Gear Position Pin, for 202147 .....   |
| 202127  | 10212 | Hand Wheel Latch with 202128, for 202130 .....   |
| 202128  | 12663 | Hand Wheel Latch Pin, for 202127   |
| 202130  | ----- | Hand Wheel complete, Nos. 200212i, 201528e, 202147 to 202120, 202127, 204986 and two 200349e, for 205949 |
| 202134  | 12659 | Bobbin Winder Frame Spring, for Machine No. 11w6 .....   |
| 202140  | 12659 | Bobbin Winder Frame Stop Pin, for 202123 .....   |

| No.    | Plate | Name   |
|--------|-------|--|
| 202141 | 12659 | Bobbin Winder Pulley, for 221815 ..  |
| 202149 | 12656 | Tension Release Plunger, for 221840  |
| 202168 | 12653 | Bed Hinge Connection .....   |
| 202189 | 12659 | Bobbin Winder Spindle, for 221815  |
| 202248 | 10710 | Arm Cap Screw Washer .....   |
| 202302 | 10710 | Knee Lifter Connection Lever Lifting Rod Cotter Pin, for 203972 ..   |
|        |       | Nos. 202470 to 202474, for 227523  |
| 202470 | 12320 | Bobbin Winder Base .....   |
| 202471 | 12320 | " " Frame .....  |
| 202472 | 12319 | " " " Spring .....   |
| 202473 | 12320 | " " Pulley with 200380e  |
| 202474 | 12320 | " " Spindle .....  |
| 202477 | 12319 | " " Stop Latch Thumb Lever, for 227523 .....   |
| 202478 | 12319 | Bobbin Winder Stop Latch Trip Lever, for 227523 .....  |
|        |       | Nos. 202480 to 202483, for 202485  |
| 202480 | 12320 | Bobbin Winder Spool Holder Base with 200355n and 202484 .....  |
| 202481 | 12320 | Bobbin Winder Spool Holder Base Spool Pin .....  |
| 202482 | 12319 | Bobbin Winder Spool Holder Tension Disc (lower or upper) .....   |
| 202483 | 12319 | Bobbin Winder Spool Holder Tension Disc Spring (brass) .....   |
| 202484 | 12319 | Bobbin Winder Spool Holder Tension Disc Thread Guide, for 202480   |
| 202485 | 12320 | Bobbin Winder Spool Holder complete, Nos. 200011i, 202480, 202481, 202483, two 202482 and one wood screw 1 in., No. 13, for 227524 ..... |
| 202668 | 12659 | Feed Driving Crank Slide Block, for 203925 .....   |
| 202668 | 12659 | Feed Regulator and Reverser Slide Block .....  |
| 202668 | 12659 | Hook Shaft Crank Slide Block .....   |
| 203922 | 12660 | Arm Side Plate, for 221803 .....   |
| 203923 | 12660 | " Shaft .....  |
| 203924 | -     | " " Connection with 202009 and two 200054e, for 203925 .....   |
| 203925 | 12660 | Arm Shaft Connection 203924 with 203926, two each 200822c, 201525e and 202668 .....  |

## Numerical List of Parts

| No.     | Plate | Name   |
|---------|-------|--|
| 203926  | 12653 | Arm Shaft Connection Slide Block, for 203925 .....   |
| 203927  | 10708 | Arm Shaft Connection Slide Block Stud .....  |
| 203932  | 12653 | Bobbin Case Tension Spring, for 221813 .....   |
|         |       | Nos. 203934 to 203936, for 203966  |
| 203934  | 10706 | Bobbin Case Stop .....   |
| 203935  | 10706 | " " " Spring .....   |
| 203936  | 10706 | " " " Bracket .....  |
| 203957  | 12643 | Face Plate with 202023, 202087, 204281 and four 200368a, for 221839 .....  |
| 203939  | 12642 | Feed Bar with 201310, for 221844 ..  |
| 203940  | 10706 | " " Adjusting Spring (flat), for 221844 .....  |
| 203941  | 10706 | Feed Bar Spring (spiral) .....   |
| 203943  | 10708 | " Driving Crank, for 205977 .....  |
| 203944  | 10708 | " " " Link, for 205977 .....   |
| 203945  | 12642 | " " Rock Shaft with two each 200415c and 201525c .....   |
| 203946  | 12642 | Feed Driving Rock Shaft Crank with two each 200378c, 200415c and 201525c .....   |
| 203947  | 12642 | Feed Driving Rock Shaft Crank Connection with 200819c .....  |
| 203948  | 10706 | Feed Lifting Cam with 200390c and 202126, for 203955 .....   |
| 203950  | 10708 | Feed Regulating Handle Escutcheon  |
| *203951 |       | " Regulator and Reverser, for 221841 .....   |
| 203954  | 10708 | Feed Regulator and Reverser Stop Screw Washer .....  |
| 203955  |       | Hook 208712 with 203948 and 203956, for 221819 .....   |
| 203956  | 12656 | Hook Washer, for 203955 .....  |
| 203957  | 12642 | Needle Bar with 200117c, 200175b and 203967 .....  |
| 203958  | 12642 | Presser Bar (hollow) with 200074b  |
| 203959  | 12663 | Needle Bar Connecting Link .....   |
| 203961  | 12664 | Take-up Lever with 201816 .....  |
| 203964  | 12664 | Thread Controller Spring, for 203965   |
| 203965  | 12664 | Thread Controller complete, Nos. 200300c, 200581b, 202084, 202098, 203964, 204274, 204275 and 204333, for 221839 ..... |
| 203966  | 10706 | Bobbin Case Stop Bracket complete, Nos. 200390c, 203934 to 203936 and 205979 .....                                     |

## Numerical List of Parts

| No.    | Plate | Name   |
|--------|-------|--|
| 203967 | 12663 | Needle Bar Thread Guide, for 203957 .....  |
| 203963 |       | Balance Wheel complete, Nos. 201569b, 202015, 202016, 203969 and 208783, for Machine No. 11W7      |
| 203969 | 12643 | Balance Wheel, 5½ in. diam. (belt groove 2½ in. diam.), with 200328c and 200335c, for 203968 ..... |
|        |       | Nos. 203971 to 203973, for 203974  |
| 203971 | 12665 | Knee Lifter Connection Lever with 203976 .....   |
| 203972 | 12665 | Knee Lifter Connection Lever Lifting Rod with 202302 .....   |
| 203973 | 12665 | Knee Lifter Lifting Lever .....  |
| 203974 |       | " " Connection Lever 203971 with 203972, 203973 and two 200262a .....                              |
| 203976 | 10710 | Knee Lifter Connection Lever Pin, for 203971 .....   |
| 204058 | 12656 | Thread Retainer Stud, for 204059 ..  |
| 204059 |       | Thread Retainer complete, Nos. 202091, 202092 and 204058, for 221839 .....                         |
| 204163 | 10710 | Arm Cap .....  |
| 204189 | 12659 | Feed Bar Spring Hook (on Bed) ..   |
| 204213 | 12644 | " Regulator and Reverser Sleeve (split) .....  |
| 204234 | 10708 | Feed Regulator and Reverser Stop Pin, for 221803 .....   |
| 204271 | 12656 | Tension Washer (steel), for 221840   |
| 204274 | 12656 | Thread Controller Plate, for 203965  |
| 204275 | 12656 | " " Roller Guard, for 203965 .....   |
| 204281 | 12656 | Thread Retainer Guide Wire, for 203937 .....   |
| 204296 | 10710 | Spool Holder Wire, for 204297 .....  |
| 204297 |       | Spool Holder complete, Nos. 200079a, 202068 and 204296 .....                                       |
| 204333 | 12656 | Thread Controller Spring Guard, for 203965 .....   |
| 204340 | 12659 | Feed Bar Spring Hook, for 203939 ..  |
| 204389 | 12663 | Hand Wheel Crank Lock Pin Spring, for 208712 .....   |
| 204795 | 12664 | Thread Controller Spring Stud with 204925, for 221839 .....  |
| 204925 | 12659 | Bobbin Winder Spindle Washer, for 221815 .....   |

| No.     | Plate | Name   |
|---------|-------|--|
| 204925  | 12659 | Thread Controller Spring Stud Washer, for 204795 .....   |
| 204986  | 12663 | Hand Wheel Latch Spring, for 202130 .....  |
| 205656  | -     | Tension Washer (felt), for 221810  |
| 205949  | -     | Hand Wheel Bracket complete, Nos. 202123, 202124 and 202130, for Machine No. 11w6 .....  |
| 205965  | 12653 | Hook Shaft Bushing, for 221838 ..  |
| 205977  | -     | Feed Driving Crank 203943 with 200252c, 201531e and 203944 .....   |
| 205979  | 12653 | Bobbin Case Stop Hinge Pin, for 203966 .....   |
| 205980  | -     | Hook Shaft Crank 208825 with two 200378c .....   |
| 208696  | -     | Tension Slide, for 202076 .....  |
| *208712 | -     | Hand Wheel 202116 with 202121 and 204389, for 202117 .....   |
| *208735 | -     | Needle Bar Connecting Stud, for 208736 .....   |
| 208736  | 12656 | Needle Bar Connecting Stud 208735 with two 200387c .....   |
| *208741 | -     | Hook Shaft, 9½ in. long, for 208742  |
| 208742  | 12642 | " 202051 with 200610e, 200611c, 202063, 202064 and 208741, for 203955 .....  |
| 208783  | 12643 | Balance Wheel Pulley, 2½ in. diam., for 203968 .....   |
| 208825  | 12653 | Hook Shaft Crank, for 205980 .....   |
| *221803 | -     | Arm with 200009a, 202002, 203922 and 204234 .....  |
| 221804  | 12660 | Balance Wheel with 200335c, 200338c, 202111 and two 209079a, for Machine No. 11w6 .....  |
|         |       | Nos. 221805 to 221810, for 221811  |
| 221805  | 12661 | Belt Guide (back) (adjustable) with 350093c and two 200798e .....  |
| 221806  | 12661 | Belt Guide (back) Adjusting Slide with 200681c .....   |
| 221807  | 12661 | Belt Guide (front) (adjustable) ..   |
| 221808  | 12661 | " " Adjusting Lever with 200861a .....   |
| 221809  | 12661 | Belt Guide Adjusting Lever Bolster with 200798e .....  |
| 221810  | 12661 | Belt Guide Base Plate .....  |
| 221811  | -     | Adjustable Belt Guide Attachment complete, Nos. 201535a, 221805 to 221810, 350094b, 350095c, two 350092b and three 201556d ..... |

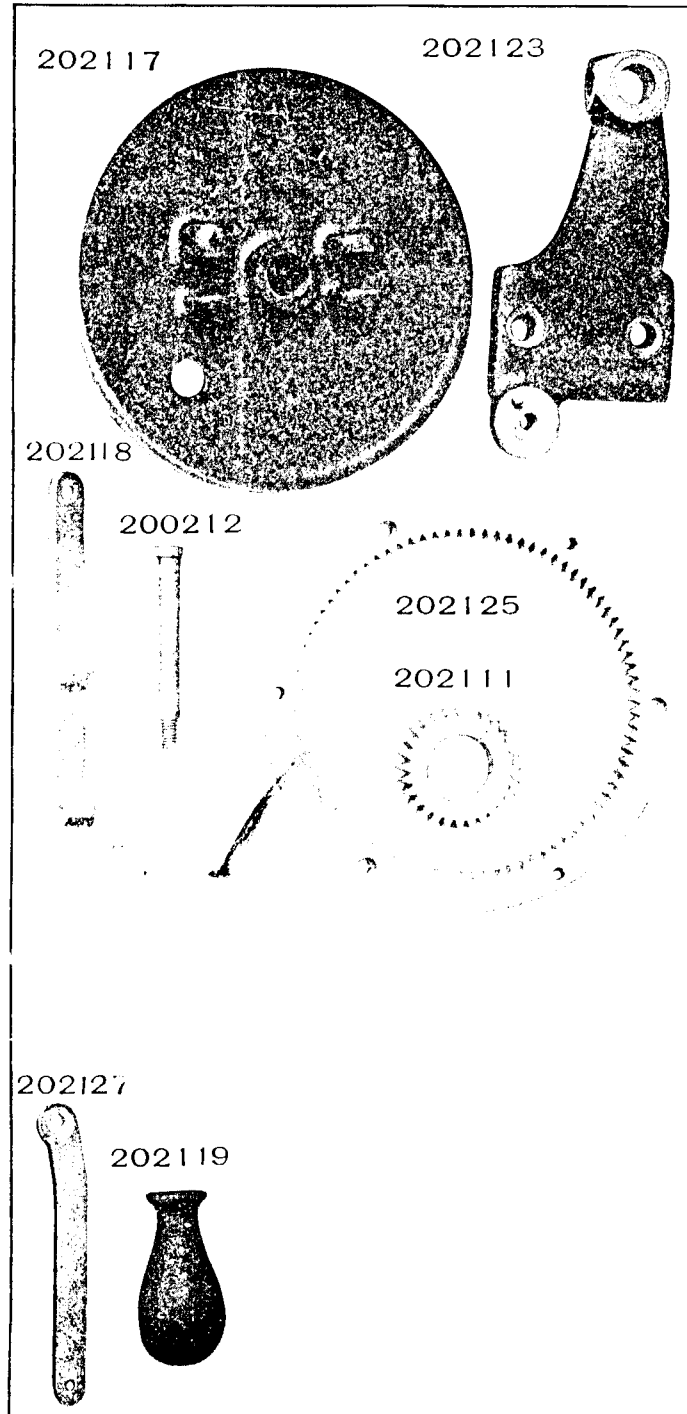
| No.     | Plate | Name   |
|---------|-------|--|
| 221812  | -     | Bobbin Case, for 221813 .....  |
| 221813  | 12659 | Bobbin Case complete, Nos. 200594c, 200597e, 202055 to 202058, 202109, 202101, 203932 and 221812, for 221819 ..... |
| 221814  | 12659 | Bobbin Winder Frame, for 221815  |
| 221815  | -     | Bobbin Winder complete, Nos. 202141, 202189, 204925 and 221814, for Machine No. 11w6 .....                         |
| 221816  | 12664 | Feed Dog, for 221814 .....   |
| *221817 | -     | " Regulating Handle, for 221814  |
| 221818  | 12663 | " Regulator and Reverser Stop  |
| 221819  | -     | Hook and Bobbin Case complete, Nos. 203955 and 221813 .....  |
| 221820  | 12663 | Presser Bar Spring .....   |
| 221821  | 12664 | " Foot .....   |
| 221822  | 12664 | Throat Plate, 38 needle hole, for needle sizes 23 and 24 .....   |
|         |       | Nos. 221823 to 221825, for 221826  |
| 221823  | 12665 | Knee Lifter Rock Lever with three 200528c .....  |
| 221824  | 12665 | Knee Lifter Rock Lever Knee Plate with 200526c .....   |
| 221825  | 12665 | Knee Lifter Rock Lever Knee Plate Arm .....  |
| 221826  | -     | Knee Lifter Rock Lever complete, Nos. 221823 to 221825, 227728 and two 221842 .....                                |
| 221827  | -     | Machine Base (wood) with 228092, two 227493 and four 225589, for 221837 .....                                      |
|         |       | Nos. 221828 to 221833, for 221837 and 221885   |
| 221828  | 12667 | Machine Base Bracket with four wood screws ¾ in., No. 12 .....   |
| 221829  | -     | Machine Cover .....  |
| 221830  | 12667 | Stool Base with 200522c and four wood screws 1½ in., No. 12, R.H.B.  |
| 221831  | 12667 | Truck Axle .....   |
| 221832  | 12667 | " " Bearing with three wood screws 1½ in., No. 12 .....  |
| 221833  | 12663 | Truck Axle Cotter Pin .....  |
|         |       | Nos. 221834 to 221836, for 221837  |
| 221834  | -     | Truck Body .....   |
| 221835  | 12667 | " Caster with four wood screws 1½ in., No. 18; also for 221885 ..  |
| 221836  | 12667 | Truck Wheel; also for 221885 .....   |

| No.     | Plate | Name  |
|---------|-------|---|
| 221837  | ----  | Truck complete, Nos. 41400, 221827, 221829 to 221831, 221834, 227053, two each 221832, 221833, 221835, 221836 and four 221828, for Machine No. 11w6 .....                                 |
| *221838 | ----  | Bed with 200328c and 205965 .....   |
| 221839  | ----  | Face Plate complete, Nos. 2005740, 203937, 203965, 204059, 204795 and 221840 .....  |
| 221840  | ----  | Tension complete, Nos. 2006300, 2015720, 202074, 202078, 202079, 202149, 204271 and 205656, for 221839 .....  |
| 221841  | ----  | Feed Regulator and Reverser 203951 with 202064 and 221817 .....   |
| 221842  | 12664 | Knee Lifter Rock Lever Knee Plate Arm Collar with two 200303, for 221826 .....  |
| 221843  | 12642 | Take-up Cam with 200335c, 200431c and 200667c .....   |
| 221844  | ----  | Feed Bar complete, Nos. 200365c, 203939, 203940, 221816 and four 200431c .....  |
| 221876  | ----  | Machine Base (wood) with 228092, two 227493 and four 225589, for 221885 .....   |
| 221877  | ----  | Motor End Guard with four wood screws $\frac{3}{4}$ in., No. 9, R.H.B., for 221885 .....  |
| 221878  | 12643 | Starting Treadle with 221882, for 221880 .....  |
| 221879  | 12643 | Starting Treadle Bracket, for 221880 .....  |
| 221880  | 12643 | Starting Treadle Bracket 221879 with 221878, 221881 and two wood screws $1\frac{1}{2}$ in., No. 12, for 221885 .....  |
| 221881  | 12641 | Starting Treadle Hinge Pin, for 221880 .....  |
| 221882  | 12643 | Starting Treadle Pitman, for 221885 .....   |
| 221883  | 12641 | " " " Hook, for 221878 .....  |
| 221884  | ----  | Truck Body, for 221885 .....  |
| 221885  | ----  | Truck complete, Nos. 41400, 221829 to 221831, 221876, 221877, 221880, 221882, 221884, 225190, 227053, two each 221832, 221833, 221835, 221836 and four 221828, for Machine No. 11w7 ..... |
| 225045  | ----  | Drip Pan with four wood screws $\frac{1}{2}$ in., No. 5 .....   |

| No.     | Plate | Name  |
|---------|-------|---|
| 225190  | ----  | Belt, size $\frac{1}{4}$ in., length 39 $\frac{1}{2}$ in., with 25128, for 221885 .....   |
| *225482 | ----  | Bobbin Case Screw Driver Blade, for 225497 .....  |
| *225483 | ----  | Bobbin Case Screw Driver Handle, for 225497 .....   |
| *225484 | ----  | Screw Driver Blade, for 225498 ...  |
| *225485 | ----  | " " Handle, for 225498 ...  |
| 225497  | 12666 | Bobbin Case Screw Driver complete, Nos. 225482 and 225483 .....   |
| 225498  | 12666 | Screw Driver complete (7 $\frac{1}{4}$ in. long), Nos. 225484 and 225485 ..   |
| 225553  | 12666 | Wrench (steel) .....  |
| 225589  | ----  | Machine Cushion (leather), for 221827 and 221876 .....  |
| 227053  | ----  | Stool Seat 227134 with 227132, for 221837 and 221885 .....  |
| 227132  | 12667 | Stool Seat Bracket with 227556 and three wood screws $\frac{1}{2}$ in., No. 12, for 227053 .....  |
| 227134  | ----  | Stool Seat, for 227053 .....  |
| 227493  | 12666 | Machine Hinge Plate 202259 with two wood screws $\frac{3}{4}$ in., No. 120, for 221827 and 221876 .....   |
| 227522  | 13319 | Bobbin Winder Stop Latch, for 227523 .....  |
| 227523  | 12320 | Bobbin Winder complete, Nos. 2000560, 2004610, 2002210, 2015370, 202470 to 202474, 202477, 202478, 227522, three 2002990 and two round head wood screws $\frac{3}{4}$ in., No. 12, for 227524 ..... |
| 227524  | ----  | Bobbin Winder and Spool Holder complete, Nos. 202485 and 227523, for Machine No. 11w7 .....   |
| 227556  | 12667 | Stool Seat Spindle, for 227132 ...  |
| 227728  | 12665 | Knee Lifter Rock Lever Rod, 3 in. long, with 227729, for 221826 .....   |
| *227729 | ----  | Knee Lifter Rock Lever Rod Cap or Oil Guard, for 227728 .....   |
| 228092  | 12666 | Machine Button with one wood screw $1\frac{1}{2}$ in., No. 14, R.H.B., for 221827 and 221876 .....  |
| 350091e | 12659 | Balance Wheel Adjusting Screw, for Machine No. 11w6 .....   |
| 3500920 | 12659 | Belt Guide (back) (adjustable) Screw, for 221811 .....  |
| 3500930 | 12659 | Belt Guide (back) Adjusting Slide Position Screw, for 221805 .....  |

| No.     | Plate | Name   |
|---------|-------|--|
| 350094b | 12659 | Belt Guide Adjusting Lever Hinge<br>Screw, for 221811 .....      |
| 350095  | 12659 | Belt Guide Adjusting Lever Posi-<br>tion Screw, for 221811 ..... |

**ILLUSTRATIONS OF PARTS  
FOR  
MACHINES  
Nos. 11w6 and 11w7**



From the library of: Diamond Needle Corp

PLATE 10706—FULL SIZE

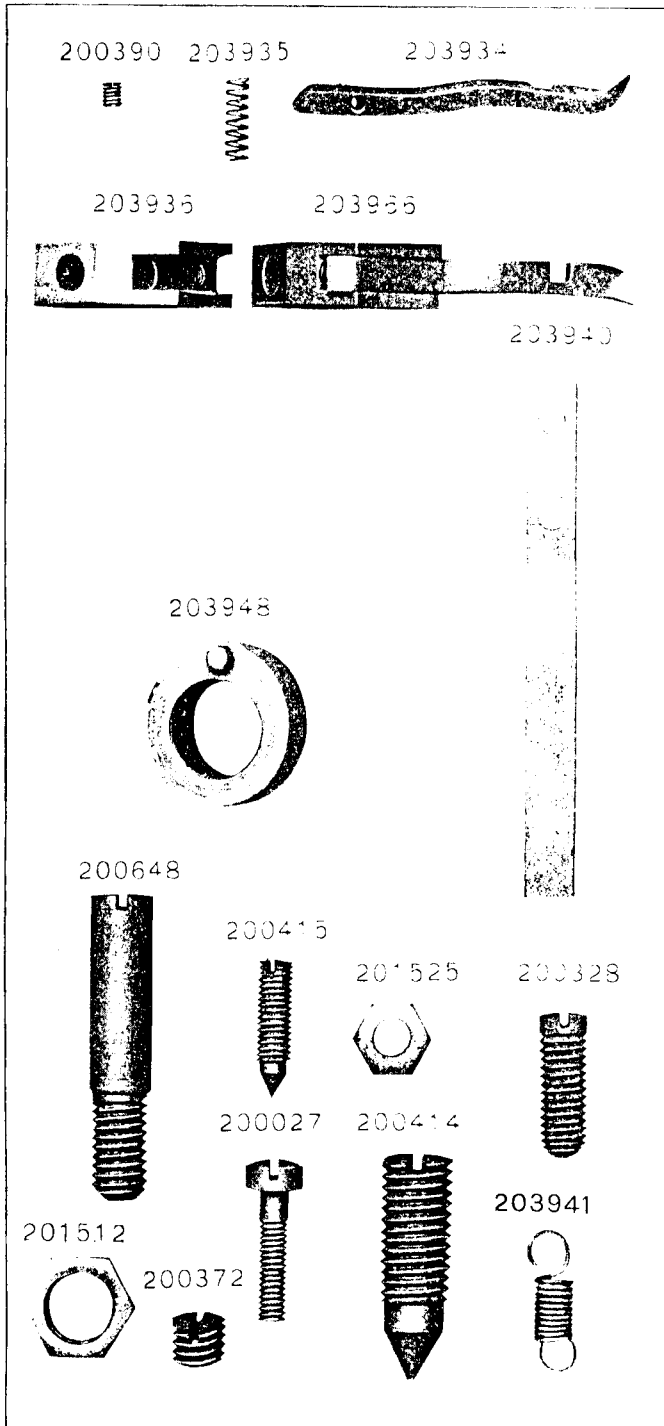


PLATE 10708—FULL SIZE

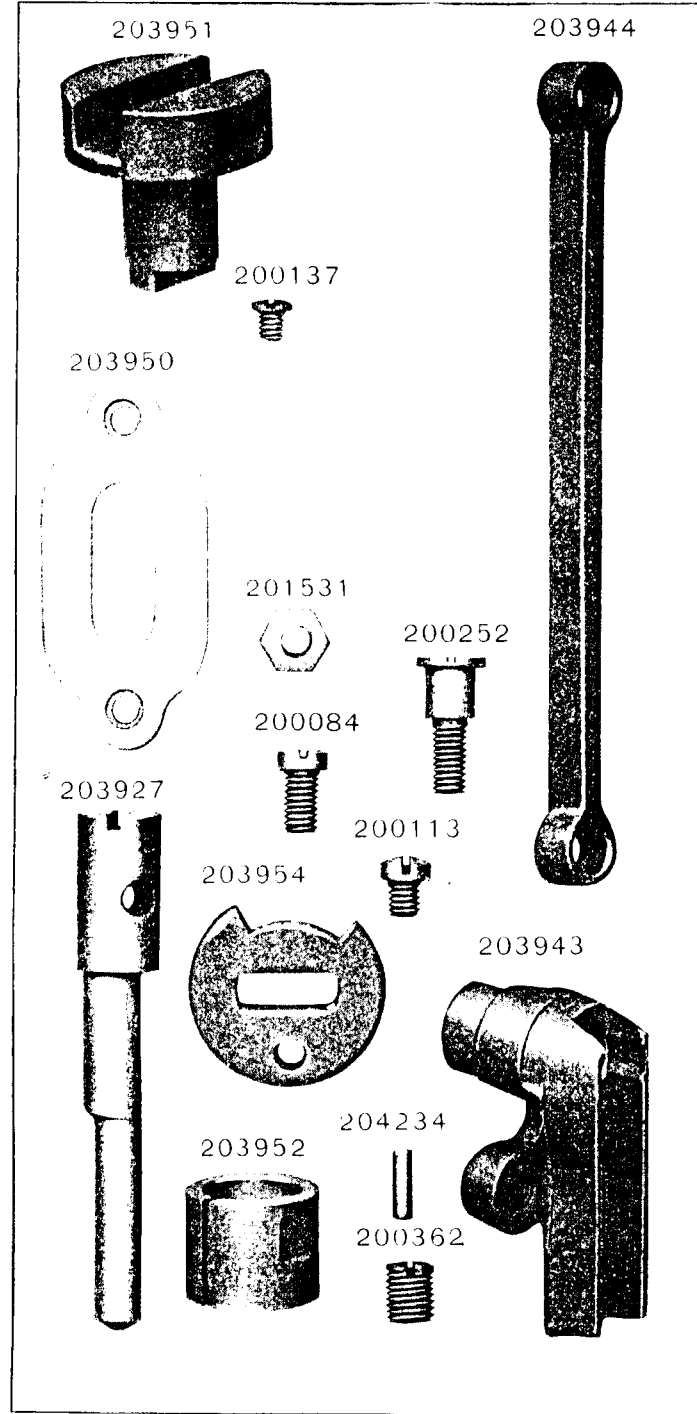


PLATE 10710—FULL SIZE

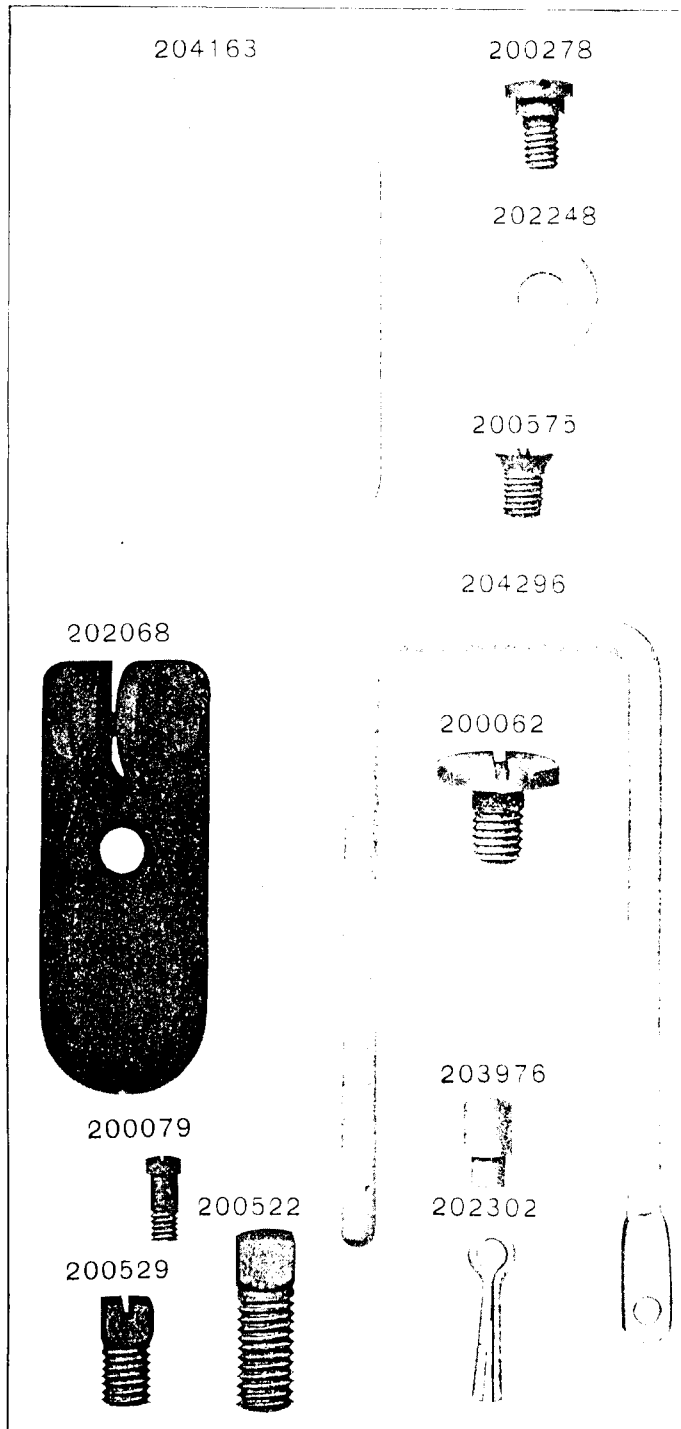
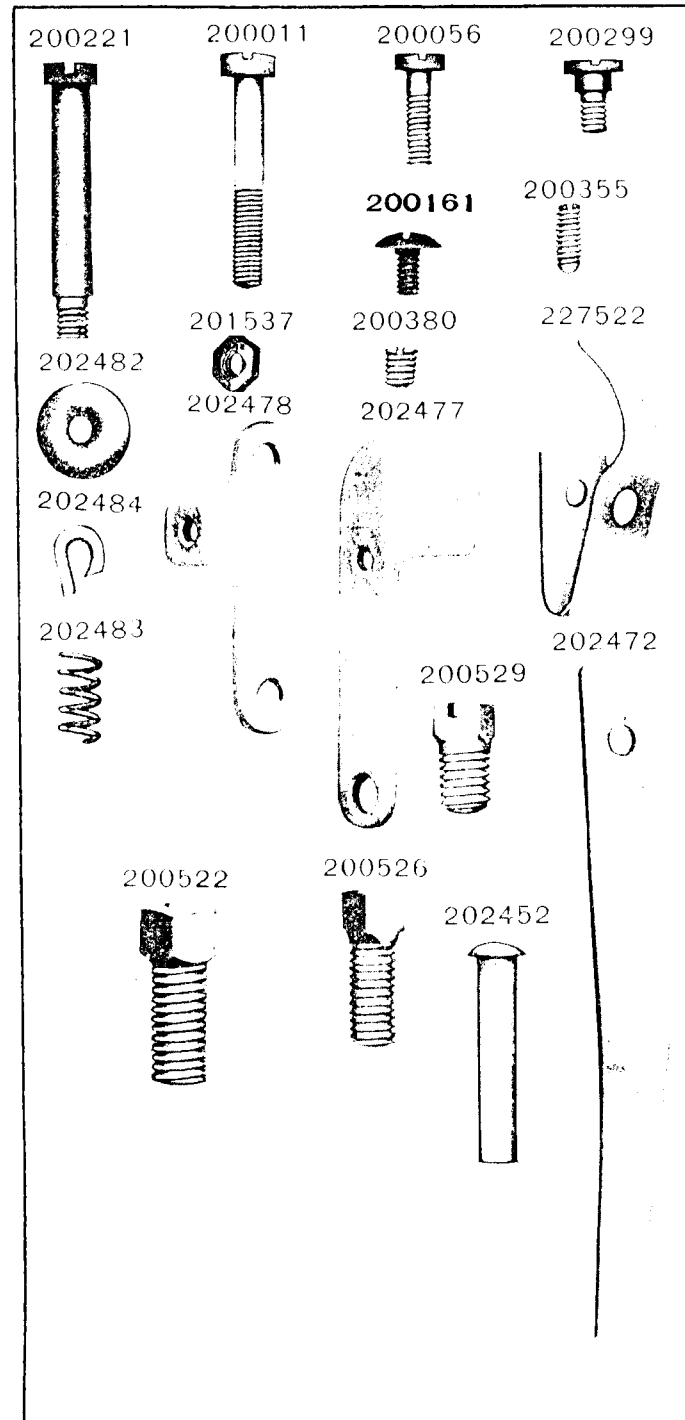


PLATE 12319—FULL SIZE



From the library of: Diamond Needle Corp



PLATE 12320—ONE-HALF SIZE

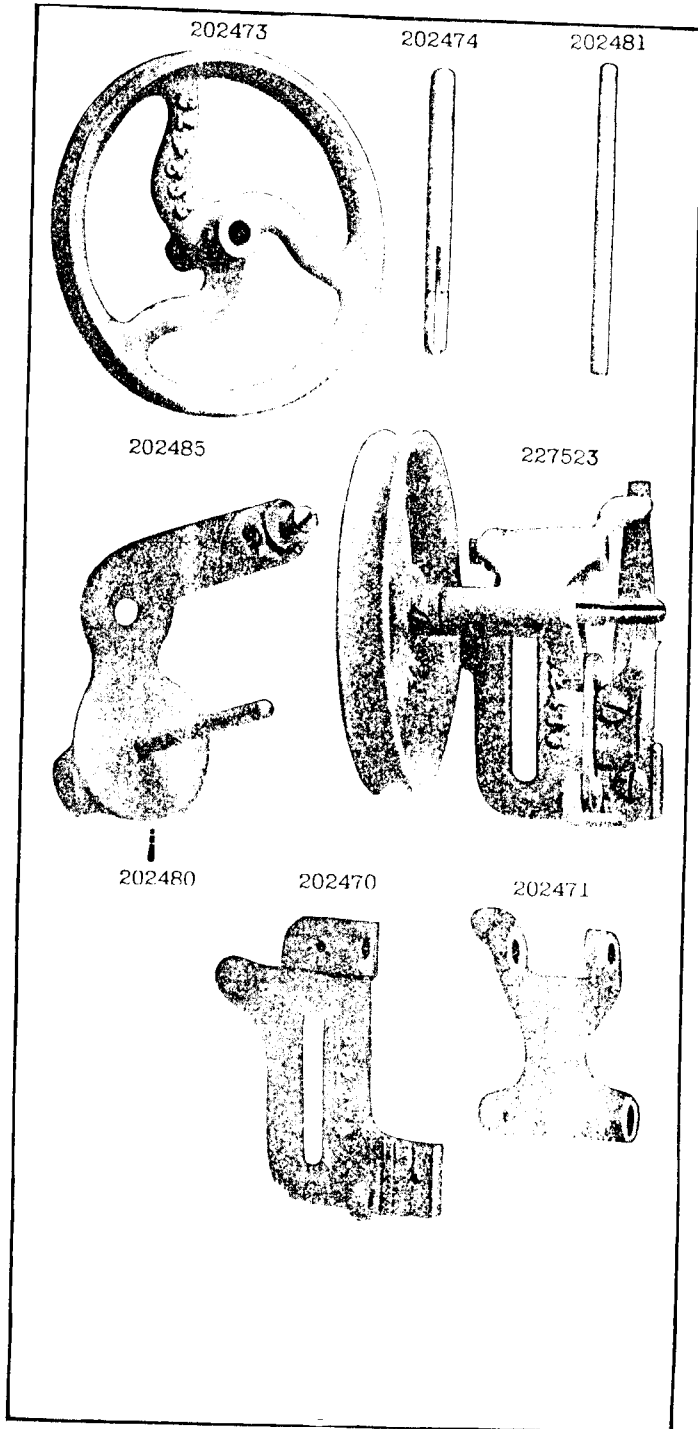
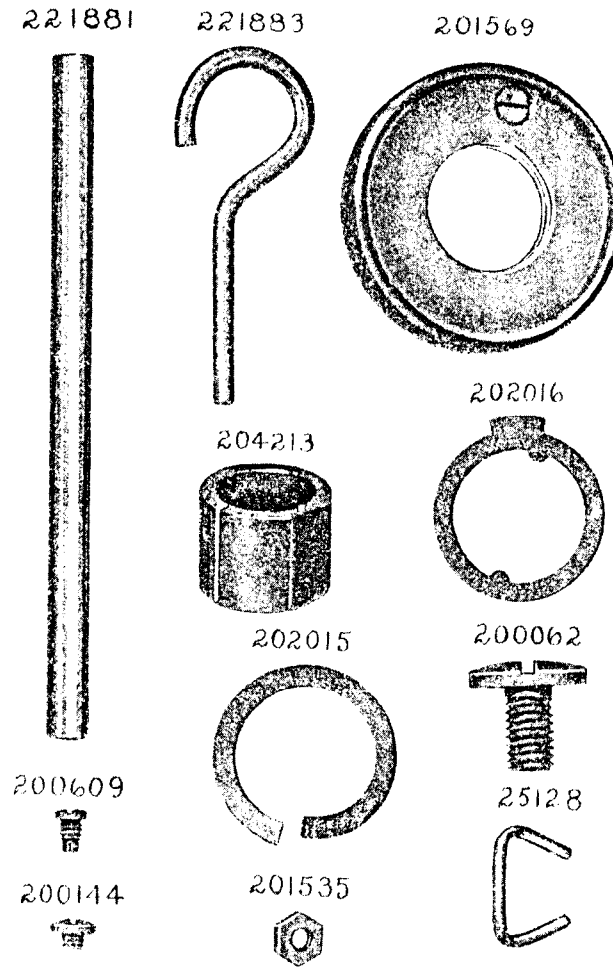


PLATE 12641—FULL SIZE



From the library of: Diamond Needle Corp

PLATE 12642—ONE-HALF SIZE

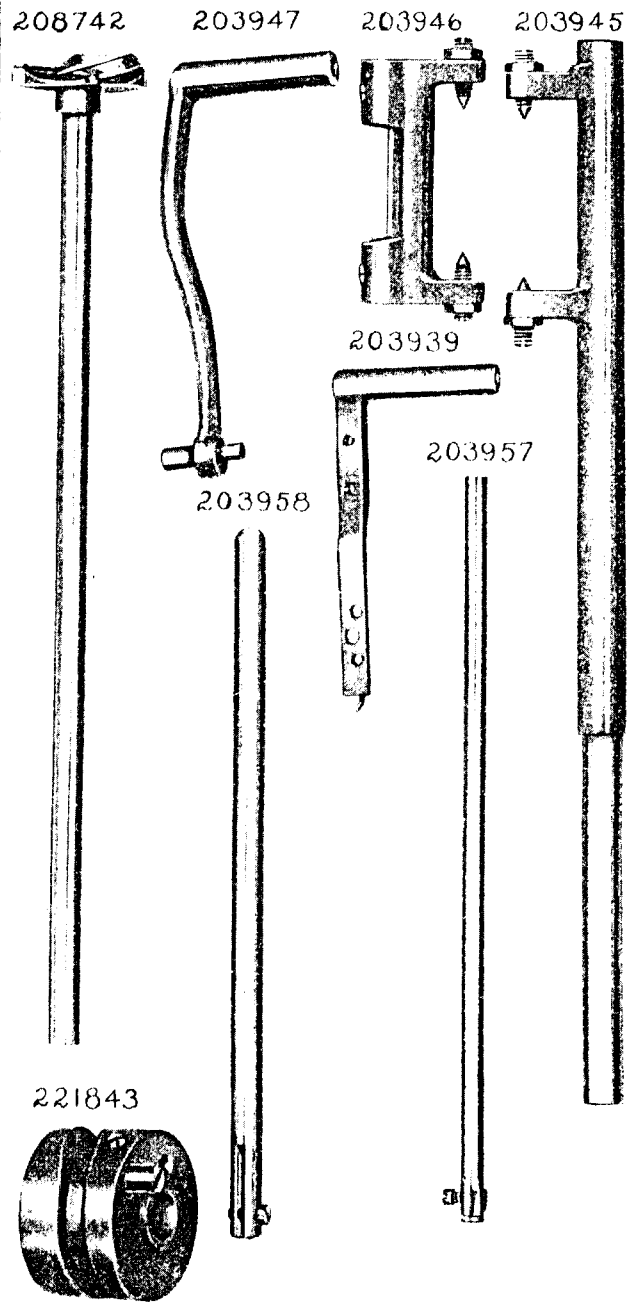


PLATE 12643—ONE-FOURTH SIZE

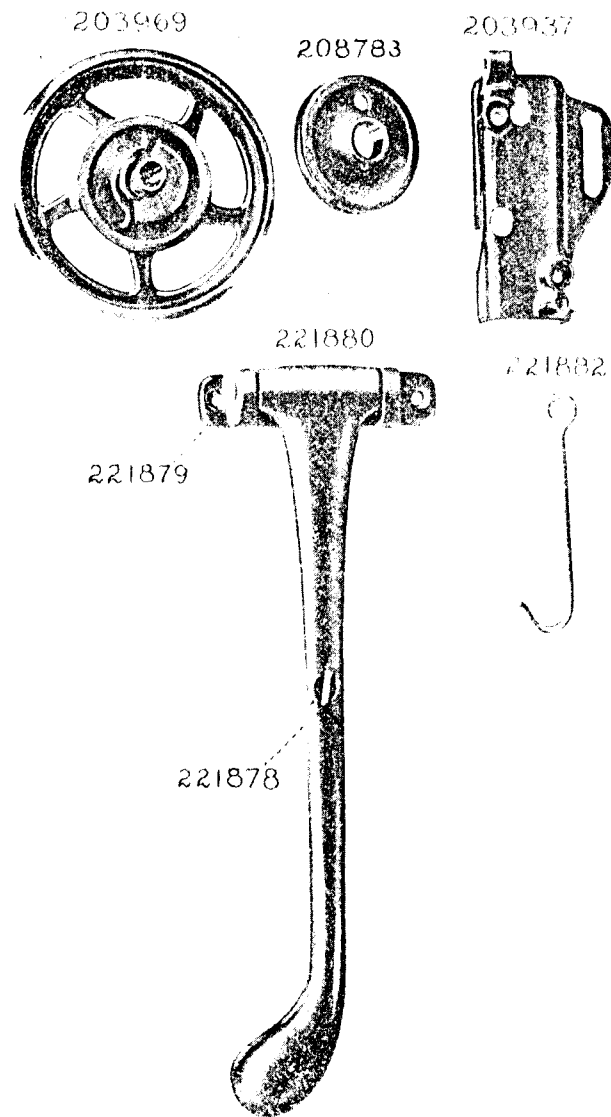


PLATE 12653—FULL SIZE

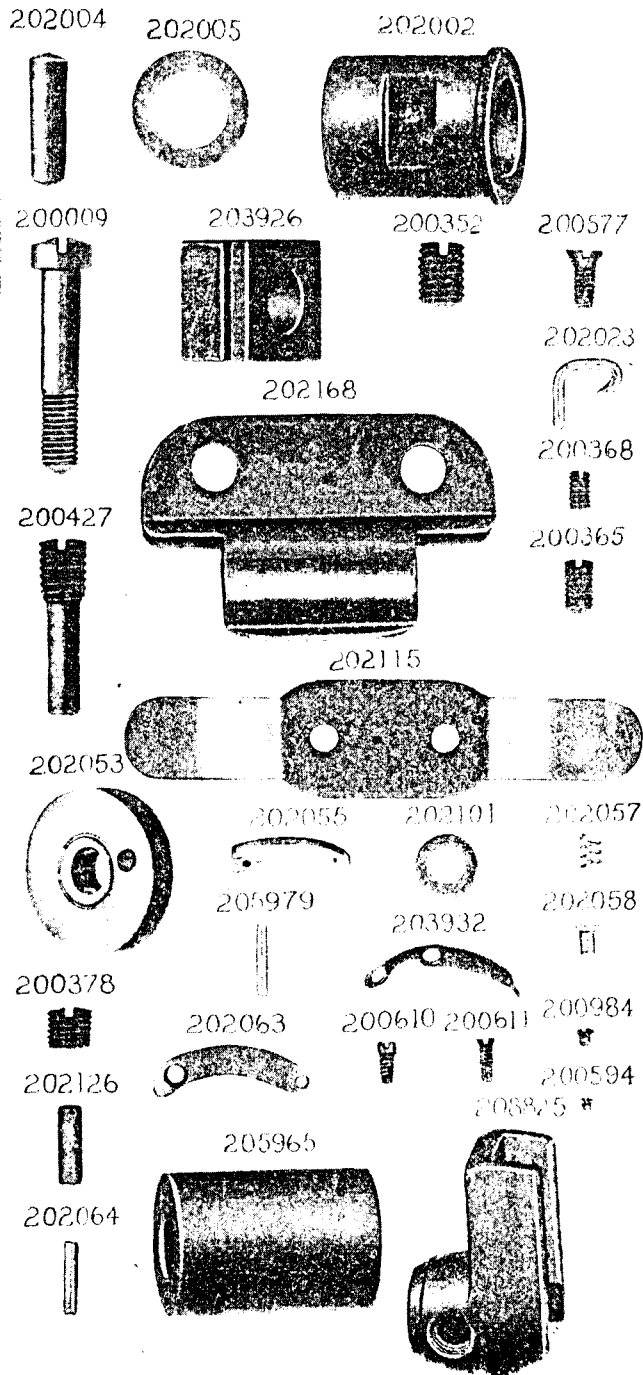
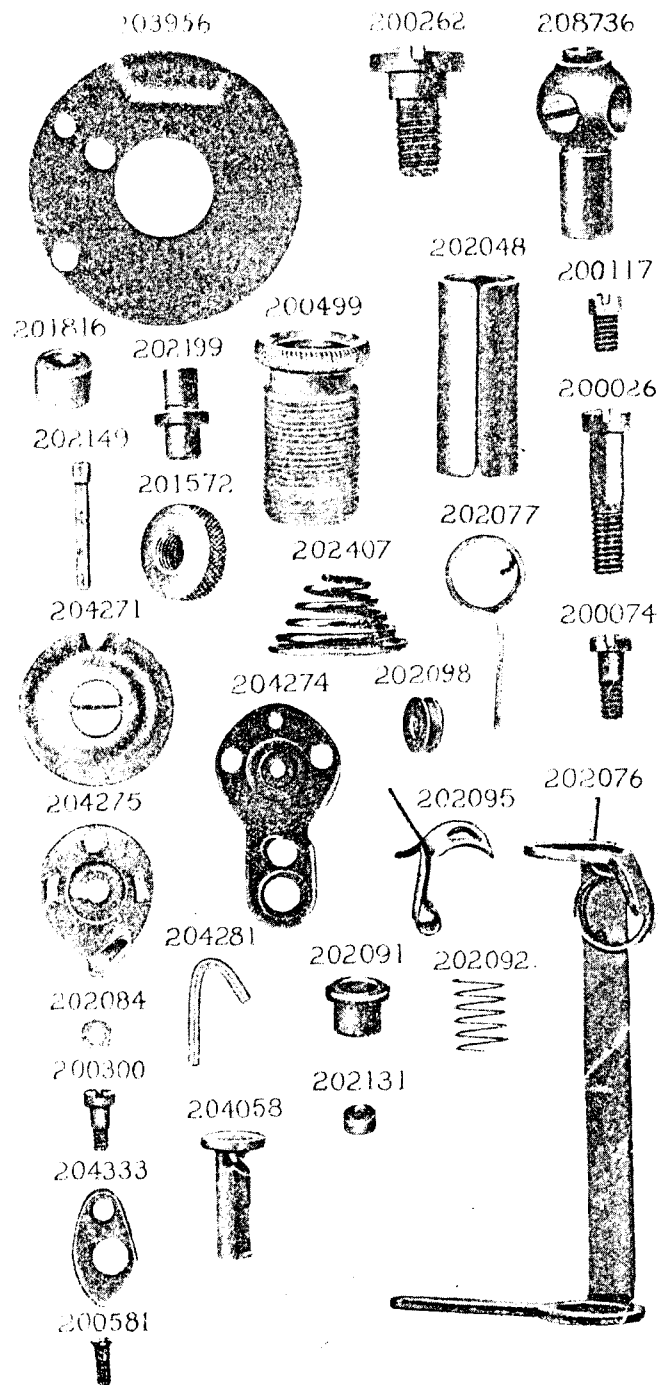


PLATE 12656—FULL SIZE



From the library of: Diamond Needle Corp

PLATE 12659—FULL SIZE

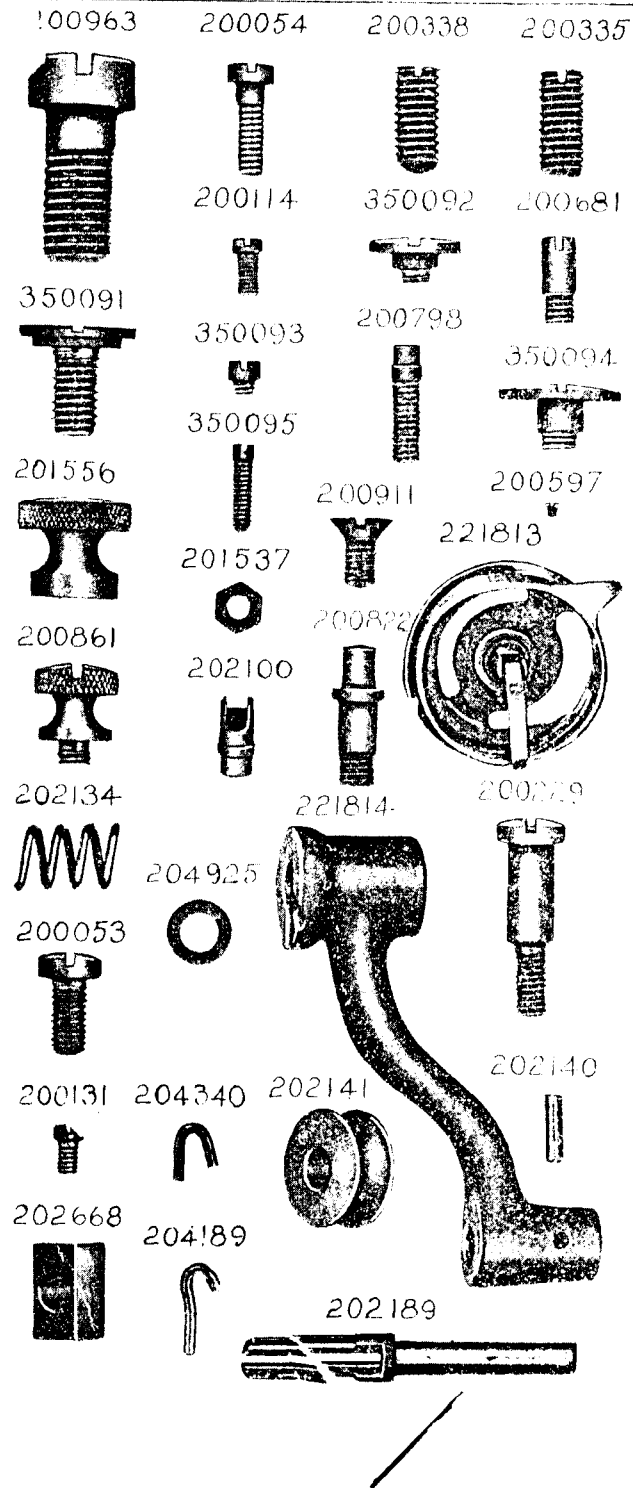


PLATE 12660—ONE-HALF SIZE

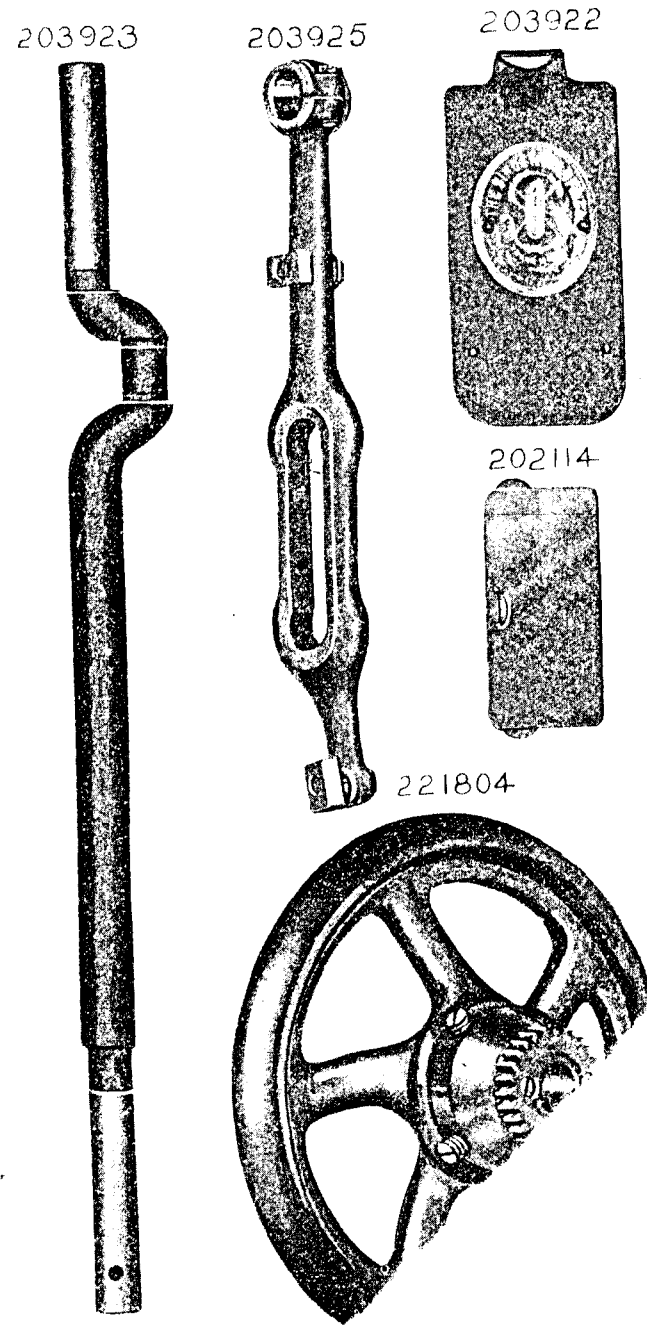
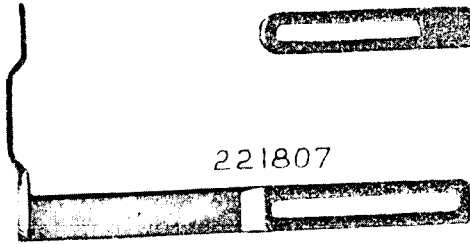
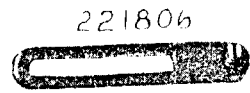
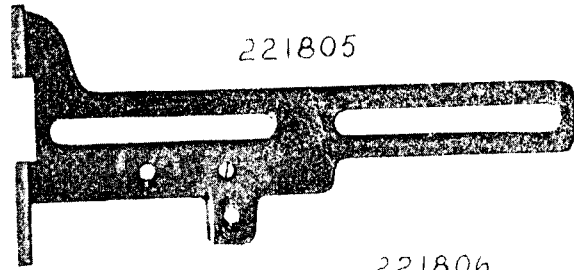


PLATE 12661—ONE-HALF SIZE



221808

221809



221810

